



# Transformer



\*1M000000\*

Catalog Number

Type QL

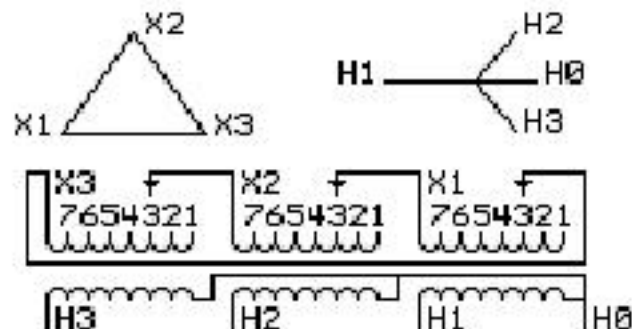
9Q3A045AFBR00A2T00

9T83B5723

45.0 KVA 60 HZ 3 PH 7 % IMP

40 C AMB. 150 C RISE 220 C SYSTEM IS-19C

PRIMARY (X) 208 VOLTS (LINE-LINE)  
 SECONDARY (H) 460 VOLTS (LINE-LINE)  
 265 VOLTS (LINE-NEUTRAL)



JUMPER CONNECTION	
TAP	VOLTS
1	217
2	214
3	208
4	203
5	197
6	191
7	188

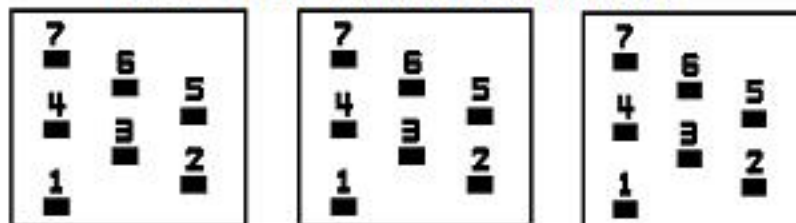
NET WGT  
415 LB  
188.2 Kg

53482  
XV373

NOG  
071515

INSPECTION  
&  
FINAL TEST  
N529!

### COIL TAP ARRANGEMENT



LISTED 769G

Assembled in Mexico

ENCLOSURE TYPE 2 (IP30). RAINPROOF TYPE 3R ENCLOSURE (IP32) WHEN PROVIDED SHIELD 9T18Y4317G05

BEFORE HANDLING, INSTALLING AND OPERATING, SEE INSTRUCTION 475A667AAP001  
ALUMINUM CONDUCTOR PRIMARY: 10 KV BIL SECONDARY: 10 KV BIL

Outline: 303B401AAP073

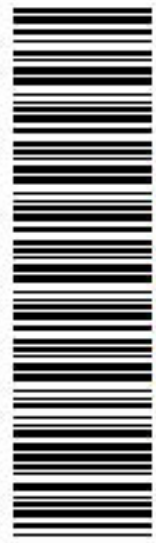
IN ACCORDANCE WITH NEC SECTION 450-9, ALLOW AT LEAST SIX INCHES CLEARANCE FOR VENTILATION. CHECK ADDITIONAL NEC AND LOCAL CODES.

H3 - H2 - H1 - -  
 - X3 - X2 - X1

Note: H0 Terminal at the bottom

H3 - H2 - H1 -  
 - X3 - X2 - X1  
 H3 - H2 - H1 -  
 - X3 - X2 - X1

H0



\*2M000000\*



\*3M000000\*