



Transformer



1M000000

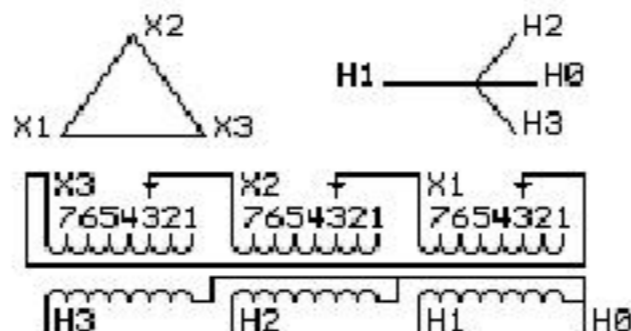
Catalog Number **9Q3A030NAD01A03RL0T** Type **QL-WP**

9T83B5752G62

30.0 KVA 60 HZ 3 PH 7.5 % IMP

40 C AMB. 150 C RISE 220 C SYSTEM IS-19C

Note: Design is based on 30.00KVA & 150C Rise 7.5% Imp.



JUMPER CONNECTION	
TAP	VOLTS
1	436
2	425
3	416
4	406
5	395
6	385
7	374

NET WGT
334 LB
151.5 Kg

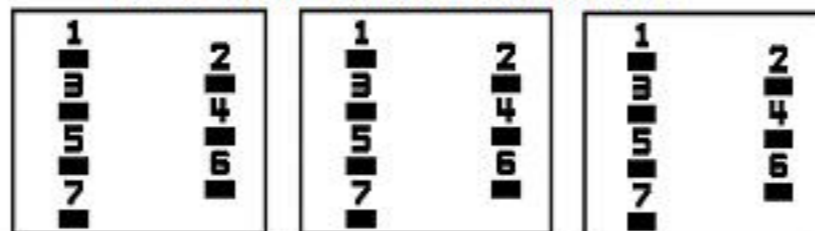
53483
XV372

NOG
071515

INSPECTION
&
FINAL TEST
N529!

PRIMARY (X) 415 VOLTS (LINE-LINE)
 SECONDARY (H) 480 VOLTS (LINE-LINE)
 277 VOLTS (LINE-NEUTRAL)

COIL TAP ARRANGEMENT



LISTED 769G

Assembled in Mexico

ENCLOSURE TYPE 3R (IP22)

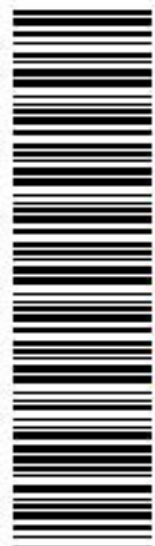
BEFORE HANDLING, INSTALLING AND OPERATING, SEE INSTRUCTION 475A667AAP001
ALUMINUM CONDUCTOR PRIMARY: 10 KV BIL SECONDARY: 10 KV BIL

Outline: 303B401AAP072

IN ACCORDANCE WITH NEC SECTION 450-9, ALLOW AT LEAST SIX INCHES CLEARANCE FOR VENTILATION. CHECK ADDITIONAL NEC AND LOCAL CODES.

H3 - H2 - H1 - -
 - X3 - X2 - X1

Note: H0 Terminal at the bottom



2M000000



3M000000

H3 - H2 - H1 -
 - X3 - X2 - X1
 H3 - H2 - H1 -
 - X3 - X2 - X1

H0