



Transformer



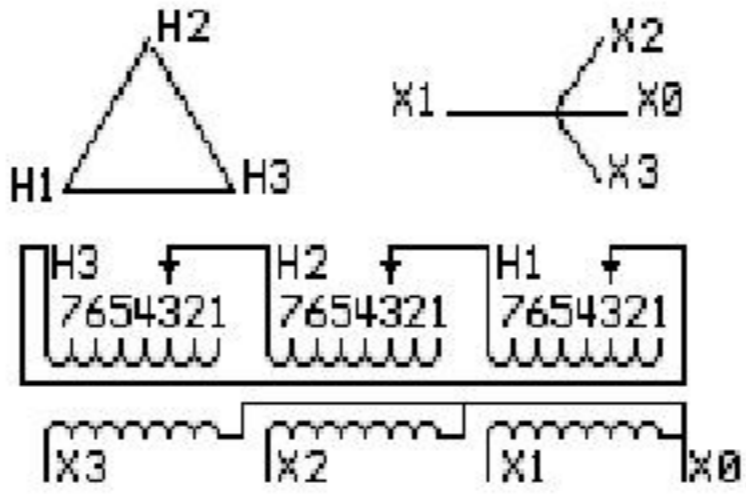
1M000000

Catalog Number **9Q3A075AGBB00A2T00** Type **QL**

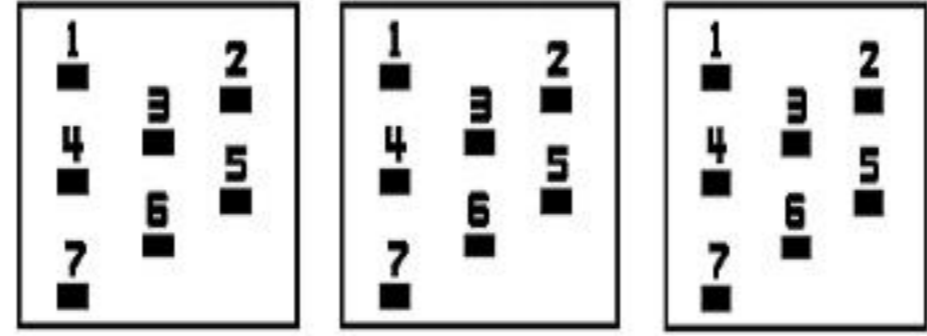
9T83B6064

75.0 KVA 60 HZ 3 PH 5.5 % IMP

40 C AMB. 150 C RISE 220 C SYSTEM IS-19C



COIL TAP ARRANGEMENT



PRIMARY (H) 480 VOLTS (LINE-LINE)
SECONDARY (X)

NET WGT

620 LB
281.2 Kg

55773
XU374

NOG
072915

INSPECTION
&
FINAL TEST
N531!

JUMPER CONNECT I		
ON	TAP	VOL
TS	1	50
4	2	49



LISTED 769G

Assembled in Mexico

ENCLOSURE TYPE 2 (IP30). RAINPROOF TYPE 3R ENCLOSURE (IP32) WHEN PROVIDED SHIELD 9T18Y4317G06

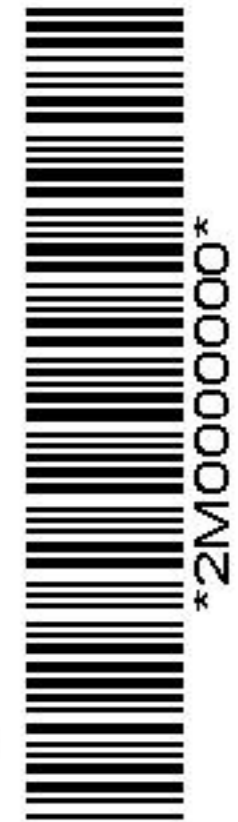
BEFORE HANDLING, INSTALLING AND OPERATING, SEE INSTRUCTION 475A667AAP001 Outline: 303B401AAP074
ALUMINUM CONDUCTOR PRIMARY: 10 KV BIL SECONDARY: 10 KV BIL

IN ACCORDANCE WITH NEC SECTION 450-9, ALLOW AT LEAST SIX INCHES CLEARANCE FOR VENTILATION. CHECK ADDITIONAL NEC AND LOCAL CODES.

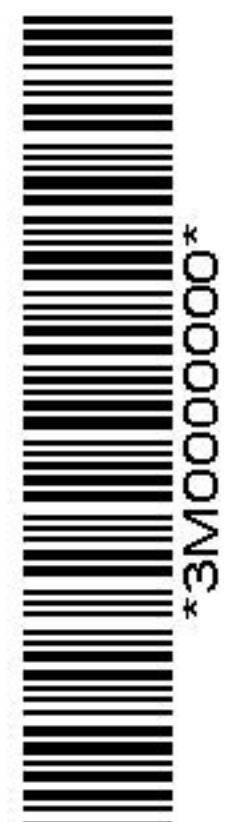
X3 - X2 - X1 - -
- H3 - H2 - H1

Note: X0 Terminal at the bottom

X1 - - H1
X2 - - H2
X3 - - H3
X1 - - H1
X2 - - H2
X3 - - H3



2M000000



3M000000

X0