



Transformer



1M000000

Catalog Number

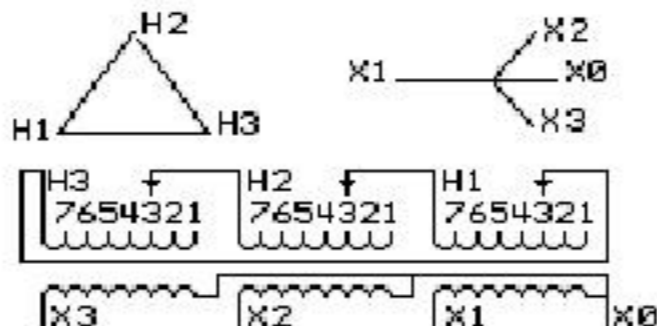
Type QL

9Q3A112AGBE00A2T00

9T83B6075

112.5 KVA 60 HZ 3 PH 6.2 % IMP

40 C AMB. 150 C RISE 220 C SYSTEM IS-19C



JUMPER CONNECTION	
TAP	VOLTS
1	631
2	616
3	600
4	583
5	569
6	554
7	540

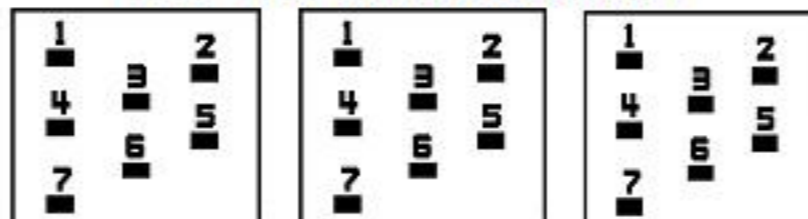
NET WGT
765 LB
347.0 Kg

55137
XV375
NOG
072115

INSPECTION
&
FINAL TEST
N530!

PRIMARY (H) 600 VOLTS (LINE-LINE)
 SECONDARY (X) 240 VOLTS (LINE-LINE)
 139 VOLTS (LINE-NEUTRAL)

COIL TAP ARRANGEMENT



ENCLOSURE TYPE 2 (IP30). RAINPROOF TYPE 3R ENCLOSURE (IP32) WHEN PROVIDED SHIELD 9T18Y4317G06

Assembled in Mexico

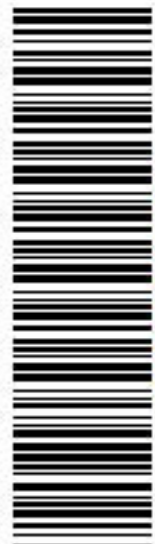
BEFORE HANDLING, INSTALLING AND OPERATING, SEE INSTRUCTION 475A667AAP001
ALUMINUM CONDUCTOR PRIMARY: 10 KV BIL SECONDARY: 10 KV BIL

Outline: 303B401AAP075

IN ACCORDANCE WITH NEC SECTION 450-9, ALLOW AT LEAST SIX INCHES
CLEARANCE FOR VENTILATION. CHECK ADDITIONAL NEC AND LOCAL CODES.

X3 - X2 - X1 - -
 - H3 - H2 - H1

Note: X0 Terminal at the bottom



2M000000



3M000000

X3 - X2 - X1 -
 - H3 - H2 - H1
 X3 - X2 - X1 -
 - H3 - H2 - H1

X0