



Transformer



1M000000

Catalog Number **9Q3A075ABB00A2T00** Type **QL**

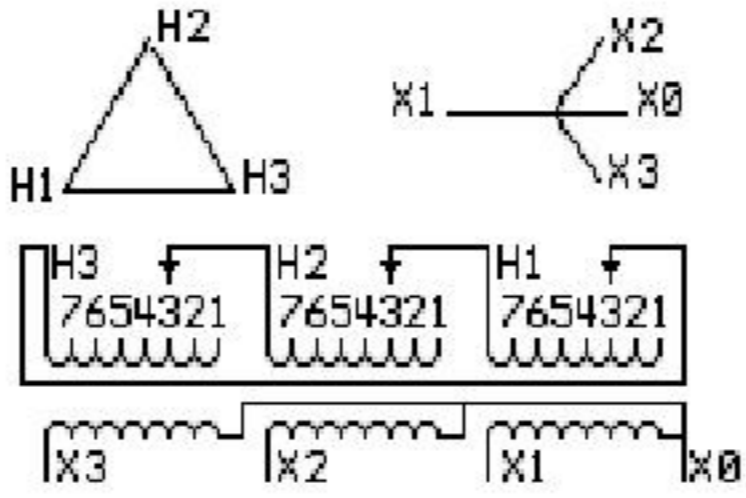
9Q3A075ABB00A2T00

9T83B6094

75.0 KVA 60 HZ 3 PH 6.5 % IMP

40 C AMB. 150 C RISE 220 C SYSTEM IS-19C

PRIMARY (H) 460 VOLTS (LINE-LINE)
SECONDARY (X) 400 VOLTS (LINE-LINE)
231 VOLTS (LINE-NEUTRAL)



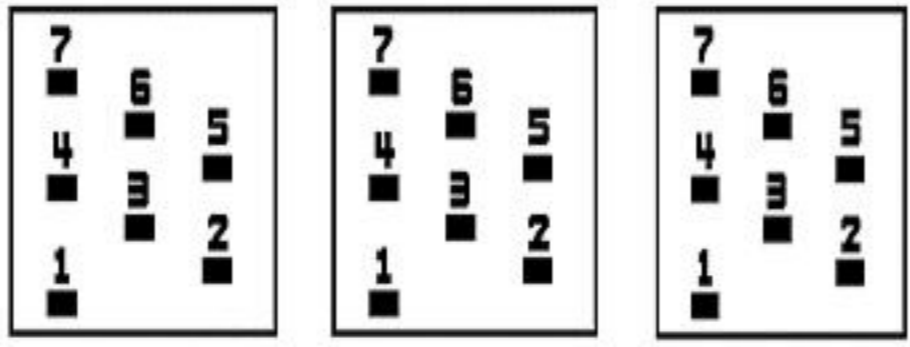
JUMPER CONNECTION	
TAP	VOLTS
1	484
2	473
3	460
4	447
5	436
6	425
7	414

NET WGT
620 LB
281.2 Kg

55774
XU374
NOG
072915

INSPECTION
&
FINAL TEST
N531!

COIL TAP ARRANGEMENT



ENCLOSURE TYPE 2 (IP30). RAINPROOF TYPE 3R ENCLOSURE (IP32) WHEN PROVIDED SHIELD 9T18Y4317G06

Assembled in Mexico

BEFORE HANDLING, INSTALLING AND OPERATING, SEE INSTRUCTION 475A667AAP001 Outline: 303B401AAP074
ALUMINUM CONDUCTOR PRIMARY: 10 KV BIL SECONDARY: 10 KV BIL

X3 - X2 - X1 - -
- H3 - H2 - H1

IN ACCORDANCE WITH NEC SECTION 450-9, ALLOW AT LEAST SIX INCHES CLEARANCE FOR VENTILATION. CHECK ADDITIONAL NEC AND LOCAL CODES.

Note: X0 Terminal at the bottom

X0

X1 - - H1

X2 - - H2

X3 - - H3

X1 - - H1

X2 - - H2

X3 - - H3

2M000000

3M000000