



Transformer



1M000000

Catalog Number

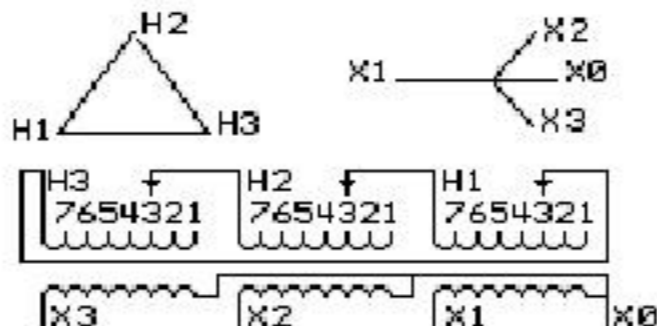
Type QL

9Q3A112AMBB00A2T00

9T83B6255

112.5 KVA 60 HZ 3 PH 5.8 % IMP

40 C AMB. 150 C RISE 220 C SYSTEM IS-19C



JUMPER CONNECTION	
TAP	VOLTS
1	418
2	408
3	400
4	389
5	379
6	369
7	359

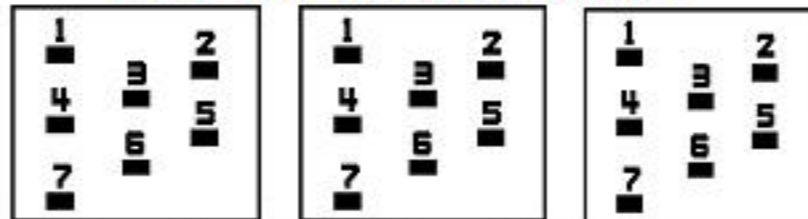
NET WGT
765 LB
347.0 Kg

55996
XV375
NOG
090815

INSPECTION
&
FINAL TEST
N537!

PRIMARY (H) 400 VOLTS (LINE-LINE)
 SECONDARY (X) 230 VOLTS (LINE-LINE)
 133 VOLTS (LINE-NEUTRAL)

COIL TAP ARRANGEMENT



ENCLOSURE TYPE 2 (IP30). RAINPROOF TYPE 3R ENCLOSURE (IP32) WHEN PROVIDED SHIELD 9T18Y4317G06

Assembled in Mexico

BEFORE HANDLING, INSTALLING AND OPERATING, SEE INSTRUCTION 475A667AAP001
ALUMINUM CONDUCTOR PRIMARY: 10 KV BIL SECONDARY: 10 KV BIL

Outline: 303B401AAP075

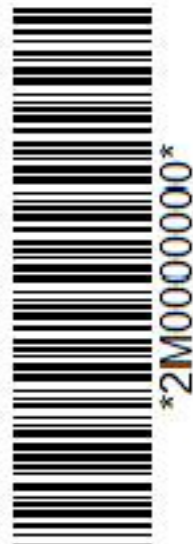
IN ACCORDANCE WITH NEC SECTION 450-9, ALLOW AT LEAST SIX INCHES CLEARANCE FOR VENTILATION. CHECK ADDITIONAL NEC AND LOCAL CODES.

X3 - X2 - X1 - -
 - H3 - H2 - H1

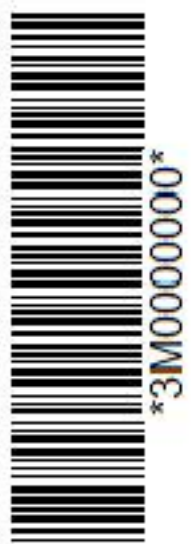
Note: X0 Terminal at the bottom

X3 - X2 - X1 - -
 - H3 - H2 - H1
 X3 - X2 - X1 - -
 - H3 - H2 - H1

X0



2M000000



3M000000