



# Transformer



\*1M000000\*

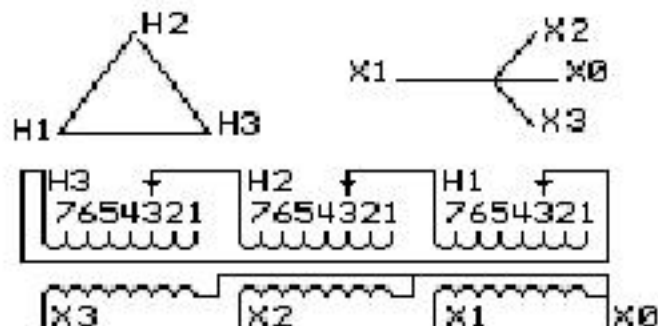
Catalog Number

Type QL

9T83B6275

112.5 KVA 60 HZ 3 PH 6.4 % IMP

40 C AMB. 150 C RISE 220 C SYSTEM IS-19C



JUMPER CONNECTION	
TAP	VOLTS
1	463
2	453
3	440
4	429
5	419
6	405
7	395

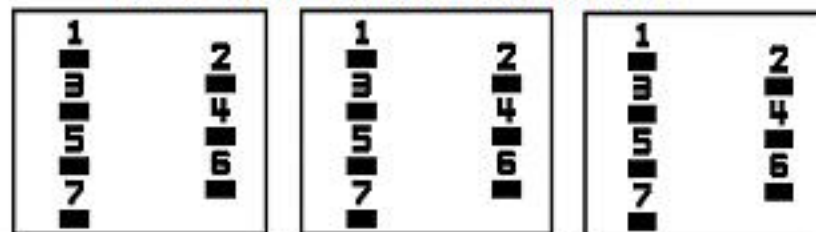
NET WGT  
765 LB  
347.0 Kg

55139  
XV375  
NOG  
072115

INSPECTION  
&  
FINAL TEST  
N530!

PRIMARY (H) 440 VOLTS (LINE-LINE)  
 SECONDARY (X) 380 VOLTS (LINE-LINE)  
 219 VOLTS (LINE-NEUTRAL)

### COIL TAP ARRANGEMENT



ENCLOSURE TYPE 2 (IP30). RAINPROOF TYPE 3R ENCLOSURE (IP32) WHEN PROVIDED SHIELD 9T18Y4317G06

Assembled in Mexico

BEFORE HANDLING, INSTALLING AND OPERATING, SEE INSTRUCTION 475A667AAP001  
ALUMINUM CONDUCTOR PRIMARY: 10 KV BIL SECONDARY: 10 KV BIL

Outline: 303B401AAP075

IN ACCORDANCE WITH NEC SECTION 450-9, ALLOW AT LEAST SIX INCHES  
CLEARANCE FOR VENTILATION. CHECK ADDITIONAL NEC AND LOCAL CODES.

X3 - X2 - X1 - -  
 - H3 - H2 - H1

Note: X0 Terminal at the bottom

X1 - -  
 X2 - - H1  
 H3 - H2  
 X3 - X2 - X1 -  
 H3 - H2 - H1  
 X0

