



Transformer



1M000000

Catalog Number

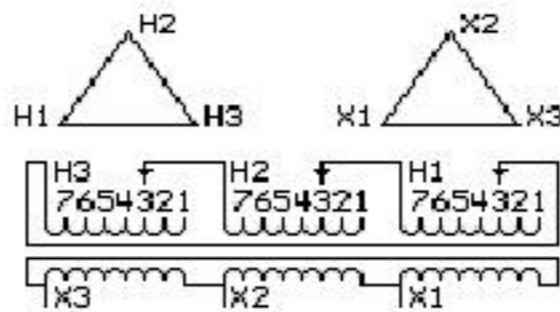
Type QL

9Q3A112AZAE00A2T00

9T83B6295

112.5 KVA 60 HZ 3 PH 6.4 % IMP

40 C AMB. 150 C RISE 220 C SYSTEM IS-19C



JUMPER CONNECTION	
TAP	VOLTS
1	230
2	225
3	220
4	215
5	210
6	206
7	196

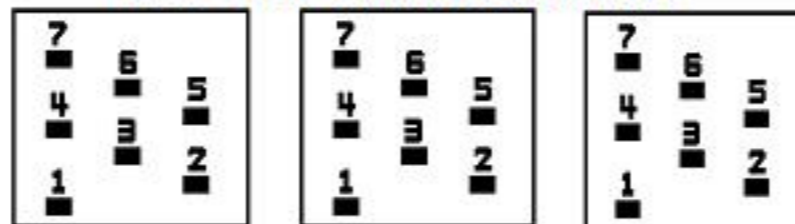
NET WGT
765 LB
347.0 Kg

55140
XV375
NOG
072115

INSPECTION & FINAL TEST N530!

PRIMARY (H) 220 VOLTS (LINE-LINE)
SECONDARY (X) 220 VOLTS (LINE-LINE)

COIL TAP ARRANGEMENT



LISTED 769G

ENCLOSURE TYPE 2 (IP30). RAINPROOF TYPE 3R ENCLOSURE (IP32) WHEN PROVIDED SHIELD 9T18Y4317G06

Assembled in Mexico

BEFORE HANDLING, INSTALLING AND OPERATING, SEE INSTRUCTION 475A667AAP001
ALUMINUM CONDUCTOR PRIMARY: 10 KV BIL SECONDARY: 10 KV BIL

Outline: 303B401AAP075

IN ACCORDANCE WITH NEC SECTION 450-9, ALLOW AT LEAST SIX INCHES CLEARANCE FOR VENTILATION. CHECK ADDITIONAL NEC AND LOCAL CODES.

X3 - X2 - X1 - -
- H3 - H2 - H1

Note: Standard

X1 - - H1
X2 - - H2
X3 - - H3



2M000000



3M000000