



# Transformer

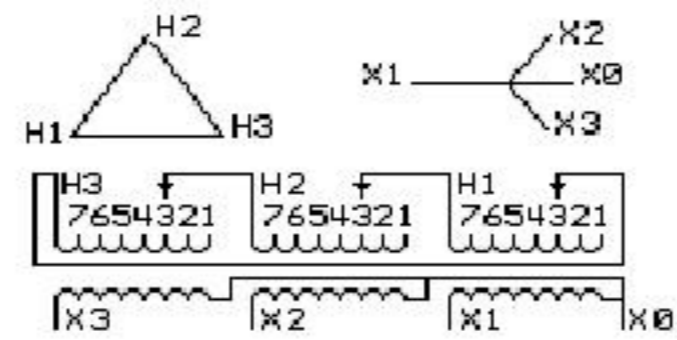


\*1M000000\*

Catalog Number **9Q3A011AKAA00A2N00** Type **QL**  
**9T83B6300G04**

**11.0 KVA 60 HZ 3 PH 4.7 % IMP**

40 C AMB. 150 C RISE 220 C SYSTEM IS-19C



JUMPER CONNECTION	
TAP	VOLTS
1	291
2	284
3	277
4	270
5	264
6	258
7	250

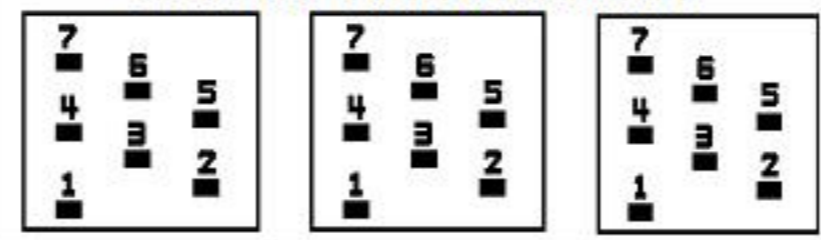
NET WGT  
240 LB  
108.9 Kg

57864  
XV371  
NOG  
092915

INSPECTION  
&  
FINAL TEST  
N540!

PRIMARY (H) 277 VOLTS (LINE-LINE)  
 SECONDARY (X) 208 VOLTS (LINE-LINE)  
 120 VOLTS (LINE-NEUTRAL)

### COIL TAP ARRANGEMENT



ENCLOSURE TYPE 2 (IP30). RAINPROOF TYPE 3R ENCLOSURE (IP32) WHEN PROVIDED SHIELD 9T18Y4317G11

Assembled in Mexico

BEFORE HANDLING, INSTALLING AND OPERATING, SEE INSTRUCTION 475A667AAP001 Outline: 303B401AAP071  
ALUMINUM CONDUCTOR PRIMARY: 10 KV BIL SECONDARY: 10 KV BIL

X3 - X2 - X1 - X0  
 - H3 - H2 - H1

IN ACCORDANCE WITH NEC SECTION 450-9, ALLOW AT LEAST SIX INCHES CLEARANCE FOR VENTILATION. CHECK ADDITIONAL NEC AND LOCAL CODES.

Note: Standard

X0

X1 -

X2 -

X3 -

- H1  
- H2  
- H3

X0

X1 -

X2 -

X3 -

- H1  
- H2  
- H3

