



Transformer



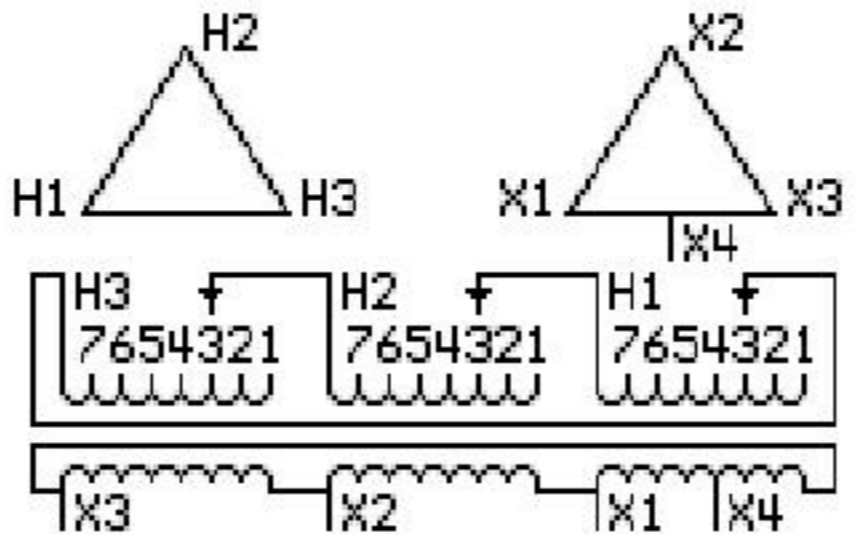
1M000000

Catalog Number **9Q5C015AYAC00A2T00** Type QL
9T83C6891G05

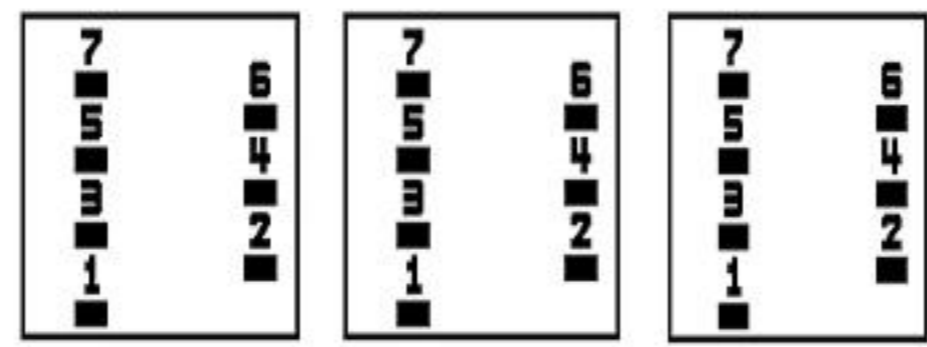
15.0 KVA 50/60 HZ 3 PH 5.2 % IMP

40 C AMB. 150 C RISE 220 C SYSTEM IS-19C

PRIMARY (H) 440 VOLTS (LINE-LINE)
SECONDARY (X) 240 VOLTS (LINE-LINE)
120 VOLTS (1 PH MDTAP)



COIL TAP ARRANGEMENT



JUMPER CONNECTION	
TAP	VOLTS
1	462
2	451
3	440
4	429
5	418
6	408
7	395

NET WGT
250 LB
113.4 Kg

57704
XU371
NOG
121013

INSPECTION
&
FINAL TEST
N350&



ENCLOSURE TYPE 2 (IP30). RAINPROOF TYPE 3R ENCLOSURE (IP32) WHEN PROVIDED SHIELD 9T18Y4317G11

REDUCED CAPACITY TAP RATED AT 5% OF 3 PH KVA

BEFORE HANDLING, INSTALLING AND OPERATING, SEE INSTRUCTION 475A667AAP001 Outline: 303B401AAP071

COPPER CONDUCTOR PRIMARY: 10 KV BIL SECONDARY: 10 KV BIL

IN ACCORDANCE WITH NEC SECTION 450-9, ALLOW AT LEAST SIX INCHES CLEARANCE FOR VENTILATION. CHECK ADDITIONAL NEC AND LOCAL CODES.

Assembled in Mexico

X3 - X2 - X1 - X4
- H3 - H2 - H1

Note: Mid-Top

X4

- X1 -

- X2 -

X3 -

- H1

- H2 -

- H3 -

X4

- X1 -

- X2 -

X3 -

- H1

- H2 -

- H3 -

