



# Transformer



\*1M000000\*

Catalog Number

Type QL

9Q3C045AZAJ00A2T00

9T83C6973

45.0 KVA 60 HZ 3 PH 5.3 % IMP

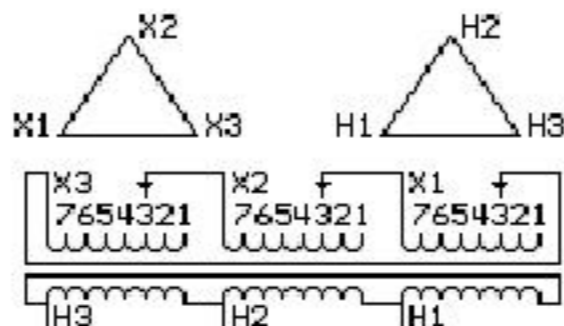
40 C AMB. 150 C RISE 220 C SYSTEM IS-19C

9T83C2865 9T83C2865

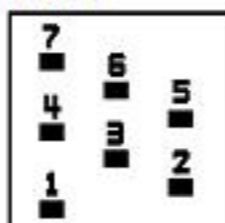
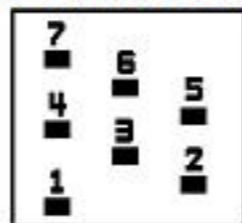
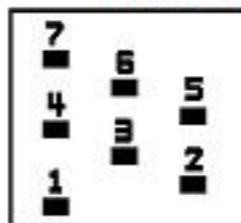
150921MA3 303B932AAP075 YNNN 40150

220IS-19COL 1 60CU101109N100.0 5.7 10

50 480(+2,-4 2.5



### COIL TAP ARRANGEMENT



NSALE0 100.000480C

+2,-4 2.50%)

120/240

0105

NN

N9T18Y4322G77T

TRANSFORMER E

ENERGY#-NOG H0

0

NET WGT

490 LB

222.3 Kg

57755

XV373

NOG

092115

INSPECTION

&

FINAL TEST

N539!

511



LISTED 769G

Assembled in Mexico

ENCLOSURE TYPE 2 (IP30). RAINPROOF TYPE 3R ENCLOSURE (IP32) WHEN PROVIDED SHIELD 9T18Y4317G05

BEFORE HANDLING, INSTALLING AND OPERATING, SEE INSTRUCTION 475A667AAP001

Outline: 303B401AAP073

COPPER CONDUCTOR

PRIMARY: 10 KV BIL

SECONDARY: 10 KV BIL

IN ACCORDANCE WITH NEC SECTION 450-9, ALLOW AT LEAST SIX INCHES

CLEARANCE FOR VENTILATION. CHECK ADDITIONAL NEC AND LOCAL CODES.

H3 - H2 - H1 - -

- X3 - X2 - X1

Note: Standard

H3 - H2 - H1 -

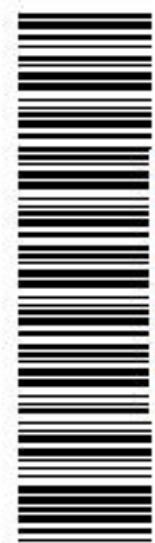
X3 - X2 - X1

H3 - H2 - H1 -

X3 - X2 - X1



\*2M000000\*



\*3M000000\*