



Transformer



1M000000

Catalog Number

Type QL

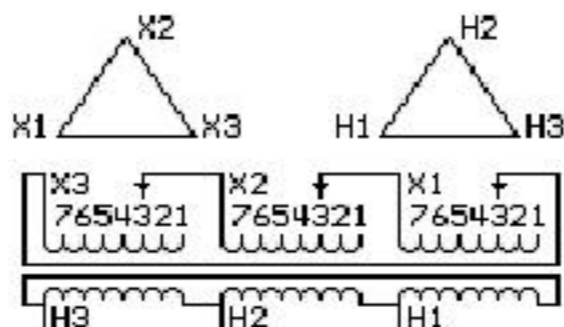
9Q3C100AJAK00A2T00

9T83C7175G51

100.0 KVA 60 HZ 3 PH 4.1 % IMP

40 C AMB. 150 C RISE 220 C SYSTEM IS-19C

Note: Design is based on 112.5KVA & 150C Rise 4.6% Imp.



JUMPER CONNECTION	
TAP	VOLTS
1	241
2	236
3	230
4	226
5	221
6	216
7	205

NET WGT

950 LB
430.9 Kg

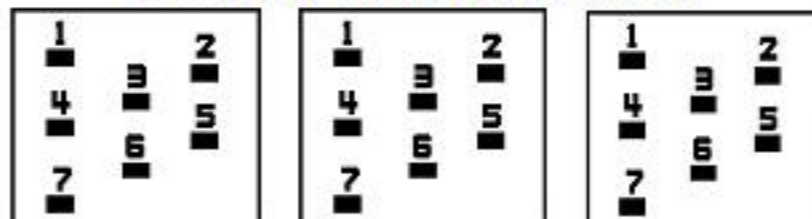
24595
XV375

NOG
080315

INSPECTION
&
FINAL TEST
N532!

PRIMARY (X) 230 VOLTS (LINE-LINE)
SECONDARY (H) 400 VOLTS (LINE-LINE)

COIL TAP ARRANGEMENT



LISTED 769G

ENCLOSURE TYPE 2 (IP30). RAINPROOF TYPE 3R ENCLOSURE (IP32) WHEN PROVIDED SHIELD 9T18Y4317G06

Assembled in Mexico

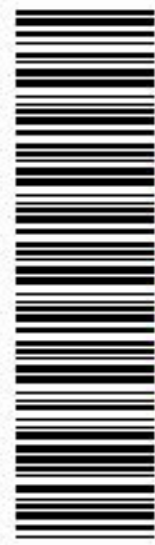
BEFORE HANDLING, INSTALLING AND OPERATING, SEE INSTRUCTION 475A667AAP001
COPPER CONDUCTOR PRIMARY: 10 KV BIL SECONDARY: 10 KV BIL

Outline: 303B401AAP075

IN ACCORDANCE WITH NEC SECTION 450-9, ALLOW AT LEAST SIX INCHES
CLEARANCE FOR VENTILATION. CHECK ADDITIONAL NEC AND LOCAL CODES.

H3 - H2 - H1 - -
- X3 - X2 - X1

Note: Standard



2M000000



3M000000

H3 - H2 - H1 - -
- X3 - X2 - X1
H3 - H2 - H1 - -
- X3 - X2 - X1