



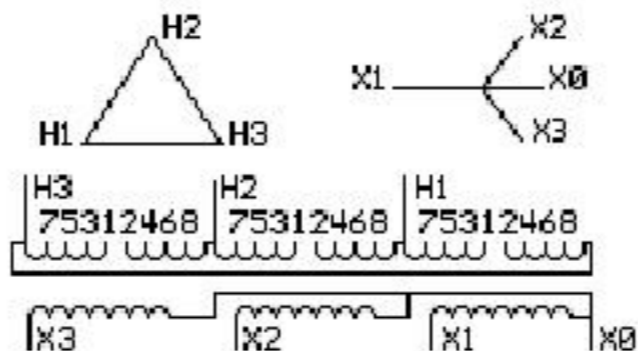
Transformer

Catalog Number

9T83C7879

500.0 KVA 60 HZ 3 PH 4 % IMP

40 C AMB. 150 C RISE 220 C SYSTEM IS-19C Type: QL

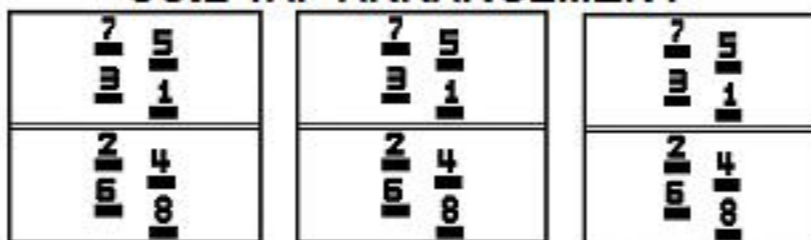


JUMPER CONNECTION

TAP	VOLTS
1-2	502
2-3	491
3-4	480
4-5	469
5-6	459
6-7	448
7-8	437

PRIMARY (H) 480 VOLTS (LINE-LINE)
 SECONDARY (X) 208 VOLTS (LINE-LINE)
 120 VOLTS (LINE-NEUTRAL)

COIL TAP ARRANGEMENT



NET WGT 4050 LB 1837.1 Kg

090115 N536! YF379
 55796 NOG

ENCLOSURE TYPE 2 (IP30). RAINPROOF TYPE 3R ENCLOSURE (IP32) WHEN PROVIDED SHIELD 9T18Y4322G 68

BEFORE HANDLING, INSTALLING AND OPERATING, SEE INSTRUCTION 475A667AAP001
 COPPER CONDUCTOR PRIMARY: 10 KV BIL SECONDARY: 10 KV BIL

IN ACCORDANCE WITH NEC SECTION 450-9, ALLOW AT LEAST SIX INCHES CLEARANCE FOR VENTILATION. CHECK ADDITIONAL NEC AND LOCAL CODES.



LISTED 769G

Outline: 3038919AAP179 INSPECTION & FINAL TEST
 Assembled in Mexico N536!

