



Transformer



1M000000

Catalog Number

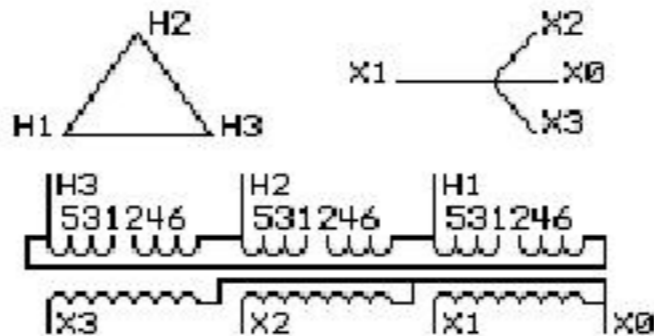
Type QL

9D3C093AAAD00A2T00

9T83C8008G55

93.0 KVA 60 HZ 3 PH 4.4 % IMP

40 C AMB. 150 C RISE 220 C SYSTEM IS-19C



JUMPER CONNECTION

TAP	VOLTS
1-2	504
3-4	480
5-6	453

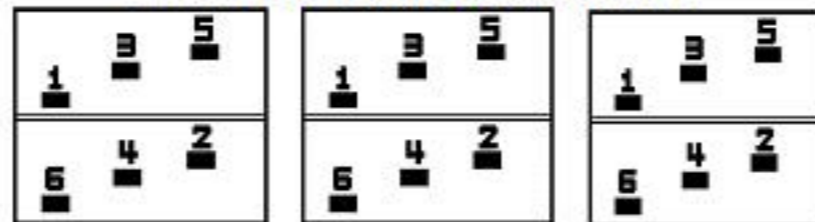
NET WGT
950 LB
430.9 Kg

55032
XV375
NOG
080315

INSPECTION
&
FINAL TEST
N532!

PRIMARY (H) 480 VOLTS (LINE-LINE)
 SECONDARY (X) 480 VOLTS (LINE-LINE)
 277 VOLTS (LINE-NEUTRAL)

COIL TAP ARRANGEMENT



LISTED 769G

ENCLOSURE TYPE 2 (IP30). RAINPROOF TYPE 3R ENCLOSURE (IP32) WHEN PROVIDED SHIELD 9T18Y4317G06

Assembled in Mexico

BEFORE HANDLING, INSTALLING AND OPERATING, SEE INSTRUCTION 475A667AAP001
COPPER CONDUCTOR PRIMARY: 10 KV BIL SECONDARY: 10 KV BIL

Outline: 303B401AAP075

IN ACCORDANCE WITH NEC SECTION 450-9, ALLOW AT LEAST SIX INCHES CLEARANCE FOR VENTILATION. CHECK ADDITIONAL NEC AND LOCAL CODES.

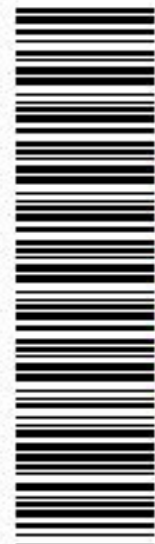
X3 - X2 - X1 - -
 - H3 - H2 - H1

Note: X0 Terminal at the bottom

GE Energy Industrial Solutions

NEMA CLASS AA DRY TYPE TRANSFORMER

Meets TP-1 2002 efficiency



2M000000



3M000000

X3 - X2 - X1 - -
 - H3 - H2 - H1
 X3 - X2 - X1 - -
 - H3 - H2 - H1

X0