



Transformer



1M000000

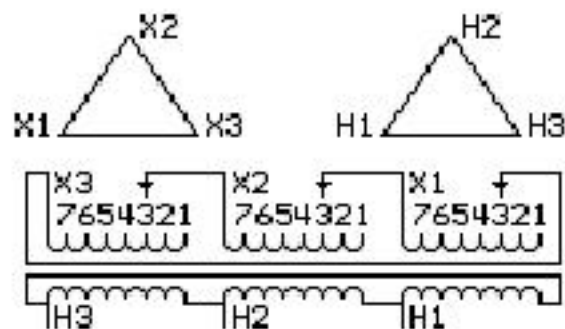
Catalog Number
9T83C9012G80

Type **QL**

30.0 KVA 60 HZ 3 PH 3.4 % IMP

40 C AMB. 80 C RISE 220 C SYSTEM IS-19C

Note: Design is based on 45.00KVA & 150C Rise 5.5% Imp.



JUMPER CONNECTION	
TAP	VOLTS
1	219
2	214
3	208
4	202
5	197
6	194
7	188

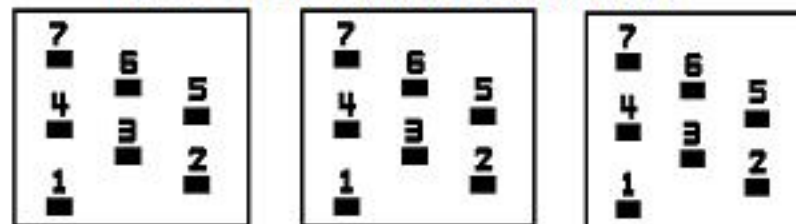
NET WGT
490 LB
222.3 Kg

45428
XV373
NOG
090815

INSPECTION
&
FINAL TEST
N537!

PRIMARY (X) 208 VOLTS (LINE-LINE)
SECONDARY (H) 240 VOLTS (LINE-LINE)

COIL TAP ARRANGEMENT



ENCLOSURE TYPE 2 (IP30). RAINPROOF TYPE 3R ENCLOSURE (IP32) WHEN PROVIDED SHIELD 9T18Y4317G05

Assembled in Mexico

BEFORE HANDLING, INSTALLING AND OPERATING, SEE INSTRUCTION 475A667AAP001
COPPER CONDUCTOR PRIMARY: 10 KV BIL SECONDARY: 10 KV BIL

Outline: 303B401AAP073

IN ACCORDANCE WITH NEC SECTION 450-9, ALLOW AT LEAST SIX INCHES
CLEARANCE FOR VENTILATION. CHECK ADDITIONAL NEC AND LOCAL CODES.

H3 - H2 - H1 - -
- X3 - X2 - X1

Note: Standard

H3 - H2 - H1 -
- X3 - X2 - X1



2M000000



3M000000