



Transformer



1M000000

Catalog Number

Type QL

9Q5C080AMBL00C2T00

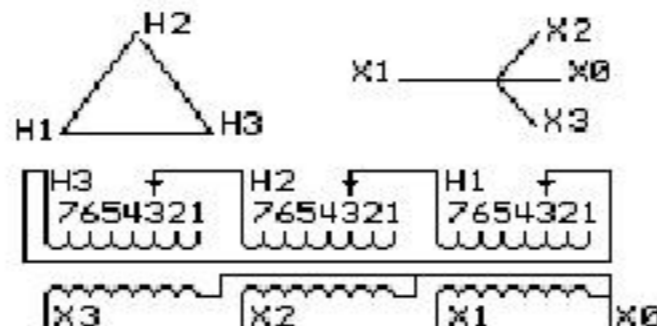
9T83C9315G81

80.0 KVA 50/60 HZ 3 PH 3.2 % IMP

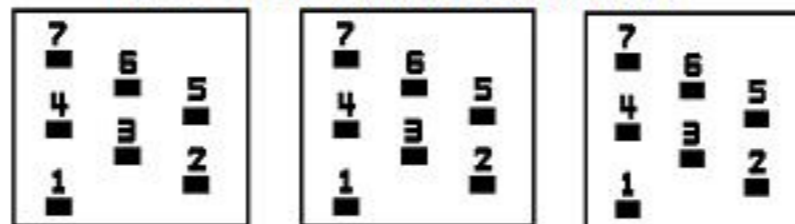
40 C AMB. 80 C RISE 220 C SYSTEM IS-19C

Note: Design is based on 112.5KVA & 115C Rise 4.6% Imp.

PRIMARY (H) 400 VOLTS (LINE-LINE)
 SECONDARY (X) 400 VOLTS (LINE-LINE)
 231 VOLTS (LINE-NEUTRAL)



COIL TAP ARRANGEMENT



JUMPER CONNECTION TAP	VOLTS
1	418
2	410
3	400
4	392
5	379
6	370
7	362

NET WGT
1190 LB
539.8 Kg

25628
XV376
NOG
072715

INSPECTION & FINAL TEST N531!



LISTED 769G

Assembled in Mexico

ENCLOSURE TYPE 2 (IP30). RAINPROOF TYPE 3R ENCLOSURE (IP32) WHEN PROVIDED SHIELD 9T18Y4317G07

BEFORE HANDLING, INSTALLING AND OPERATING, SEE INSTRUCTION 475A667AAP001
COPPER CONDUCTOR PRIMARY: 10 KV BIL SECONDARY: 10 KV BIL

Outline: 303B401AAP076

IN ACCORDANCE WITH NEC SECTION 450-9, ALLOW AT LEAST SIX INCHES CLEARANCE FOR VENTILATION. CHECK ADDITIONAL NEC AND LOCAL CODES.

X3 - X2 - X1 - -
 - H3 - H2 - H1

Note: X0 Terminal at the bottom

X3 - X2 - X1 - -
 - H3 - H2 - H1
 X3 - X2 - X1 - -
 - H3 - H2 - H1

X0



2M000000



3M000000