



Transformer



1M000000

Catalog Number

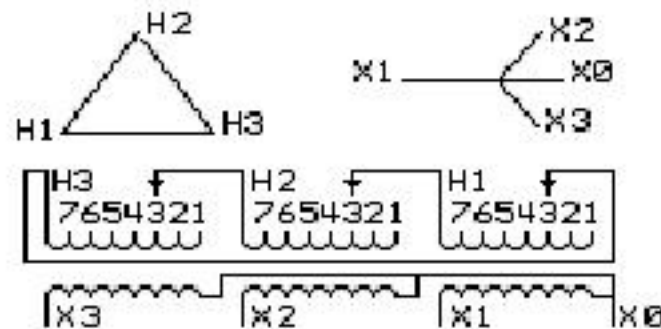
Type QL

9T83C9545G51

100.0 KVA 60 HZ 3 PH 4.8 % IMP

40 C AMB. 150 C RISE 220 C SYSTEM IS-19C

Note: Design is based on 112.5KVA & 150C Rise 5.3% Imp.



JUMPER CONNECTION	
TAP	VOLTS
1	505
2	491
3	480
4	467
5	457
6	443
7	433

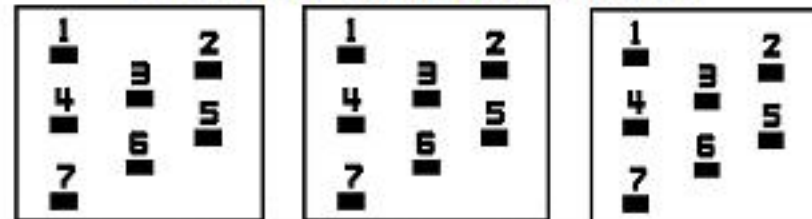
NET WGT
950 LB
430.9 Kg

31483
XV375
NOG
080315

INSPECTION
&
FINAL TEST
N532!

PRIMARY (H) 480 VOLTS (LINE-LINE)
 SECONDARY (X) 400 VOLTS (LINE-LINE)
 231 VOLTS (LINE-NEUTRAL)

COIL TAP ARRANGEMENT



LISTED 769G

ENCLOSURE TYPE 2 (IP30). RAINPROOF TYPE 3R ENCLOSURE (IP32) WHEN PROVIDED SHIELD 9T18Y4317G06

Assembled in Mexico

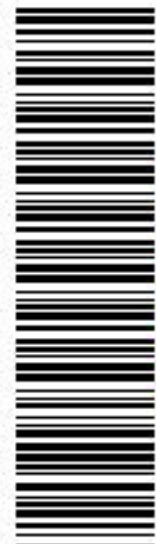
BEFORE HANDLING, INSTALLING AND OPERATING, SEE INSTRUCTION 475A667AAP001
COPPER CONDUCTOR PRIMARY: 10 KV BIL SECONDARY: 10 KV BIL

Outline: 303B401AAP075

IN ACCORDANCE WITH NEC SECTION 450-9, ALLOW AT LEAST SIX INCHES CLEARANCE FOR VENTILATION. CHECK ADDITIONAL NEC AND LOCAL CODES.

X3 - X2 - X1 - -
 - H3 - H2 - H1

Note: X0 Terminal at the bottom



2M000000



3M000000

X3 - X2 - X1 - -
 - H3 - H2 - H1
 X3 - X2 - X1 - -
 - H3 - H2 - H1

X0