



# Transformer



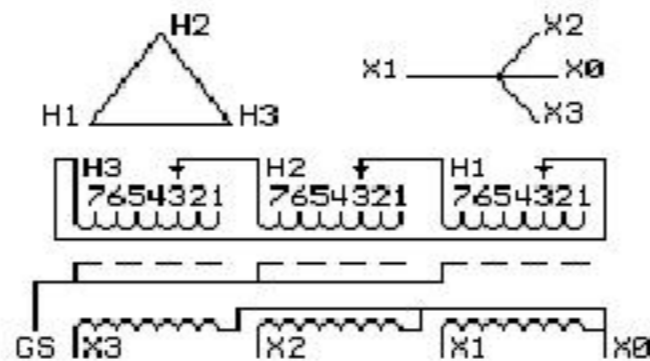
\*1M000000\*

Catalog Number  
**9T83C9546G03**

Type **QL**

**150.0 KVA 60 HZ 3 PH 5.3 % IMP**

40 C AMB. 150 C RISE 220 C SYSTEM IS-19C



JUMPER CONNECTION	
TAP	VOLTS
1	502
2	492
3	480
4	467
5	457
6	442
7	432

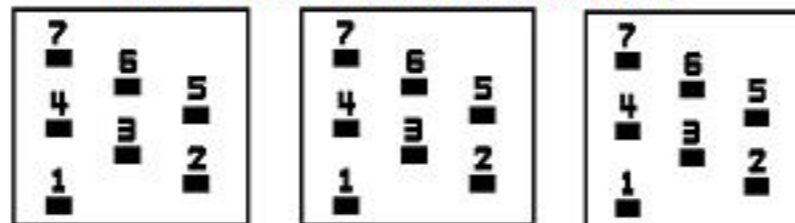
NET WGT  
1190 LB  
539.8 Kg

55450  
XV376  
NOG  
072715

INSPECTION  
&  
FINAL TEST  
N531!

PRIMARY (H) 480 VOLTS (LINE-LINE)  
 SECONDARY (X) 400 VOLTS (LINE-LINE)  
 231 VOLTS (LINE-NEUTRAL)

### COIL TAP ARRANGEMENT



ELECTROSTATIC GROUND SHIELD IN EACH PHASE

ENCLOSURE TYPE 2 (IP30). RAINPROOF TYPE 3R ENCLOSURE (IP32) WHEN PROVIDED SHIELD 9T18Y4317G07

Assembled in Mexico

BEFORE HANDLING, INSTALLING AND OPERATING, SEE INSTRUCTION 475A667AAP001  
COPPER CONDUCTOR PRIMARY: 10 KV BIL SECONDARY: 10 KV BIL

Outline: 303B401AAP076

**IN ACCORDANCE WITH NEC SECTION 450-9, ALLOW AT LEAST SIX INCHES CLEARANCE FOR VENTILATION. CHECK ADDITIONAL NEC AND LOCAL CODES.**

X3 - X2 - X1 - -  
 - H3 - H2 - H1

Note: X0 Terminal at the bottom

X1 - -  
 X2 - - H2 - H1  
 X3 - - H3 - H2 - H1  
 X0

