



# Transformer

Catalog Number

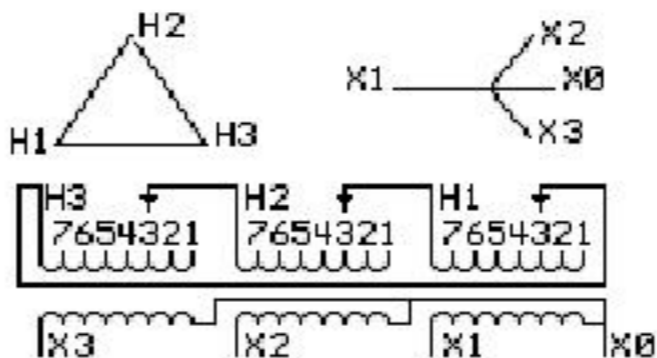
**9T83C9546G51**

**167.0 KVA    60 HZ    3 PH    4.1 % IMP**

40 C AMB.    150 C RISE    220 C SYSTEM    IS-19C    Type: QL

Note: Design is based on 225.0KVA & 150C Rise 5.5% Imp.

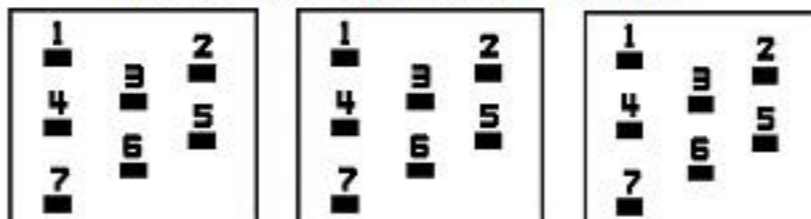
PRIMARY (H)	480 VOLTS (LINE-LINE)
SECONDARY (X)	400 VOLTS (LINE-LINE)
	231 VOLTS (LINE-NEUTRAL)



JUMPER CONNECTION

TAP	VOLTS
1	506
2	493
3	480
4	468
5	456
6	443
7	431

### COIL TAP ARRANGEMENT



NET WGT 1700 LB    771.1 Kg

090315	N536!	XV377
	55842	NOG

ENCLOSURE TYPE 2 (IP30). RAINPROOF TYPE 3R ENCLOSURE (IP32) WHEN PROVIDED SHIELD 9T18Y4322G88

BEFORE HANDLING, INSTALLING AND OPERATING, SEE INSTRUCTION 475A667AAP001  
COPPER CONDUCTOR    PRIMARY: 10 KV BIL    SECONDARY: 10 KV BIL

**IN ACCORDANCE WITH NEC SECTION 450-9, ALLOW AT LEAST SIX INCHES CLEARANCE FOR VENTILATION. CHECK ADDITIONAL NEC AND LOCAL CODES.**



LISTED 769G

Outline: 3038919AAP077  
Assembled in Mexico

INSPECTION & FINAL TEST  
N536!

