



Transformer

NEMA CLASS AA DRY TYPE TRANSFORMER

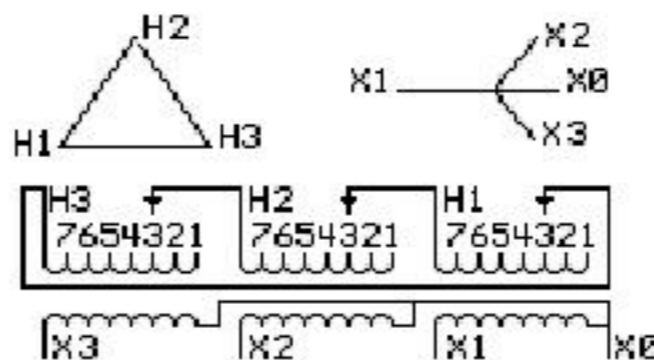
Catalog Number

9T83C9547

225.0 KVA 60 HZ 3 PH 5.5 % IMP

40 C AMB. 150 C RISE 220 C SYSTEM IS-19C Type: QL

NOT FOR SALE FOR USE IN THE UNITED STATES

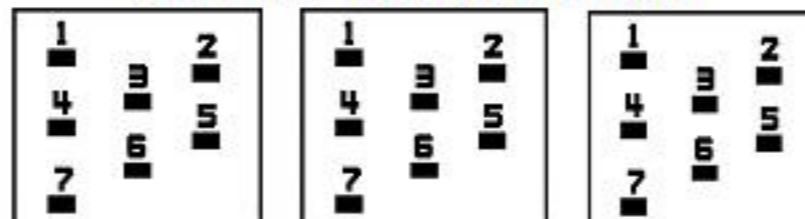


JUMPER CONNECTION

TAP	VOLTS
1	506
2	493
3	480
4	468
5	456
6	443
7	431

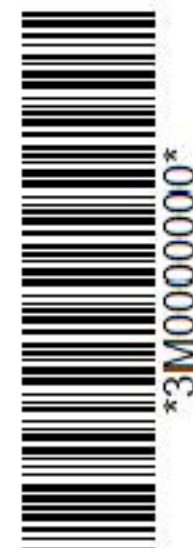
PRIMARY (H) 480 VOLTS (LINE-LINE)
 SECONDARY (X) 400 VOLTS (LINE-LINE)
 231 VOLTS (LINE-NEUTRAL)

COIL TAP ARRANGEMENT



NET WGT 1700 LB 771.1 Kg

031516 N612! XV377
60584 NOG



ENCLOSURE TYPE 2 (IP20). RAINPROOF TYPE 3R ENCLOSURE (IP22) WHEN PROVIDED SHIELD 9T18Y4322G 88

BEFORE HANDLING, INSTALLING AND OPERATING, SEE INSTRUCTION 475A667AAP001
COPPER CONDUCTOR PRIMARY: 10 KV BIL SECONDARY: 10 KV BIL

IN ACCORDANCE WITH NEC SECTION 450-9, ALLOW AT LEAST SIX INCHES CLEARANCE FOR VENTILATION. CHECK ADDITIONAL NEC AND LOCAL CODES.



LISTED 769G

Outline: 3038919AAP077
Assembled in Mexico

INSPECTION & FINAL TEST
N612!