



Transformer



1M000000

Catalog Number
9T83C9682G03

Type **QL**

30.0 KVA 50/60 HZ 3 PH 6.6 % IMP

40 C AMB. 150 C RISE 220 C SYSTEM IS-19C

PRIMARY (H) 380 VOLTS (LINE-LINE)
SECONDARY (X) 208 VOLTS (LINE-LINE)
120 VOLTS (LINE-NEUTRAL)

ELECTROSTATIC GROUND SHIELD IN EACH PHASE

ENCLOSURE TYPE 2 (IP30). RAINPROOF TYPE 3R ENCLOSURE (IP32) WHEN PROVIDED SHIELD 9T18Y4317G05

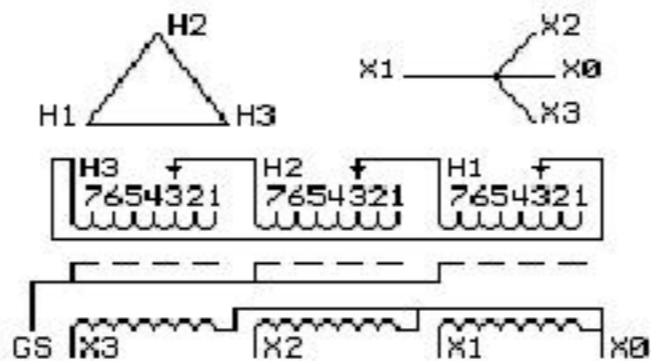
BEFORE HANDLING, INSTALLING AND OPERATING, SEE INSTRUCTION 475A667AAP001
COPPER CONDUCTOR PRIMARY: 10 KV BIL SECONDARY: 10 KV BIL

IN ACCORDANCE WITH NEC SECTION 450-9, ALLOW AT LEAST SIX INCHES
CLEARANCE FOR VENTILATION. CHECK ADDITIONAL NEC AND LOCAL CODES.

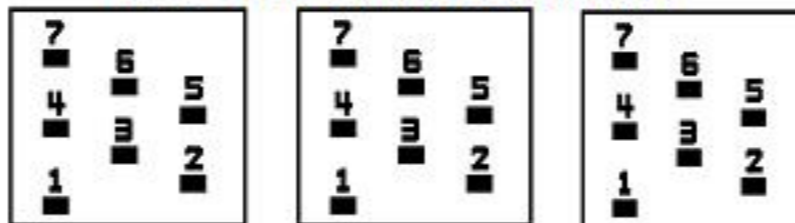
GE Energy Industrial Solutions

NEMA CLASS AA DRY TYPE TRANSFORMER

Meets TP-1 2002 efficiency



COIL TAP ARRANGEMENT



JUMPER CONNECTION TAP	VOLTS
1	400
2	390
3	380
4	370
5	360
6	351
7	342

NET WGT
377 LB
171.0 Kg

56203
XV372
NOG
081115

INSPECTION
&
FINAL TEST
N533!



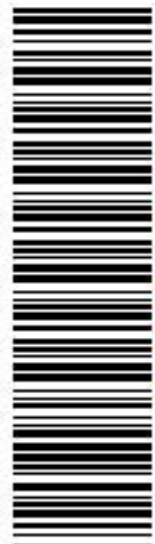
LISTED 769G

Assembled in Mexico

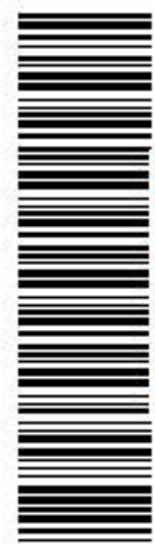
X3 - X2 - X1 - -
- H3 - H2 - H1

Note: X0 Terminal at the bottom

X1 - -
X2 - - H1
H3 - H2 - H1
X3 - X2 - X1 -
X3 - H3 - H2 - H1
X0



2M000000



3M000000