



# Transformer

Catalog Number

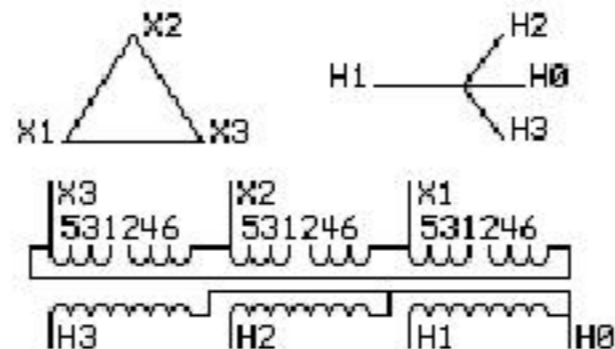
**9T83C9808G15**

**300.0 KVA    60 HZ    3 PH    2.6 % IMP**

40 C AMB.    115 C RISE    220 C SYSTEM    IS-19C    Type: QL

Note: Design is based on 500.0KVA & 150C Rise 4.4% Imp.

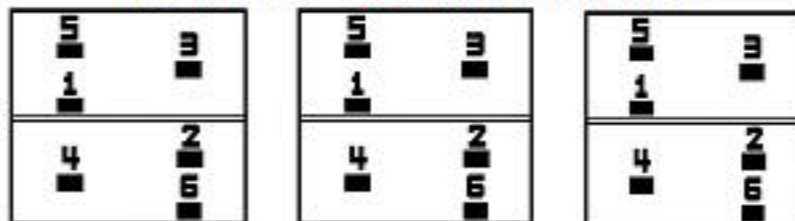
PRIMARY (X)	208 VOLTS (LINE-LINE)
SECONDARY (H)	480 VOLTS (LINE-LINE)
	277 VOLTS (LINE-NEUTRAL)



JUMPER CONNECTION

TAP	VOLTS
1-2	228
2-3	218
3-4	208
4-5	198
5-6	188

### COIL TAP ARRANGEMENT



NET WGT 4050 LB 1837.1 Kg

090115	N536!	YF379
	56813	NOG

ENCLOSURE TYPE 2 (IP30). RAINPROOF TYPE 3R ENCLOSURE (IP32) WHEN PROVIDED SHIELD 9T18Y4322G 68

BEFORE HANDLING, INSTALLING AND OPERATING, SEE INSTRUCTION 475A667AAP001  
COPPER CONDUCTOR    PRIMARY: 10 KV BIL    SECONDARY: 10 KV BIL

**IN ACCORDANCE WITH NEC SECTION 450-9, ALLOW AT LEAST SIX INCHES CLEARANCE FOR VENTILATION. CHECK ADDITIONAL NEC AND LOCAL CODES.**



LISTED 769G

Outline: 3038919AAP179  
Assembled in Mexico

INSPECTION & FINAL TEST  
N536!

