



Transformer

Catalog Number 9T83C9808G30

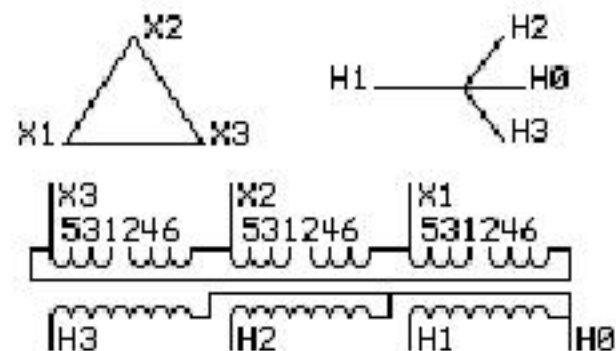
9Q3C300AFAD00D2T00

300.0 KVA 60 HZ 3 PH 2.6 % IMP

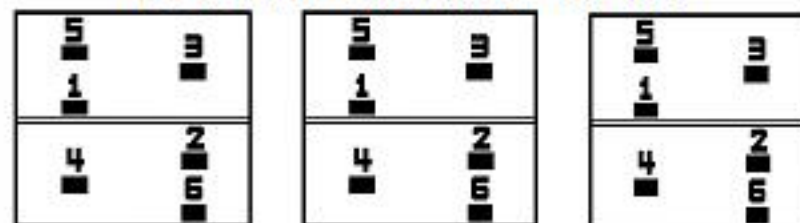
40 C AMB. 130 C RISE 220 C SYSTEM IS-19C Type: QL

Note: Design is based on 500.0KVA & 150C Rise 4.4% Imp.

PRIMARY (X)	208 VOLTS (LINE-LINE)
SECONDARY (H)	480 VOLTS (LINE-LINE)
	277 VOLTS (LINE-NEUTRAL)



COIL TAP ARRANGEMENT



JUMPER CONNECTION	
TAP	VOLTS
1-2	228
2-3	218
3-4	208
4-5	198
5-6	188

NET WGT 4050 LB 1837.1 Kg

090115	N536!	YF379
	56813	NOG

ENCLOSURE TYPE 2 (IP30). RAINPROOF TYPE 3R ENCLOSURE (IP32) WHEN PROVIDED SHIELD 9T18Y4322G68

BEFORE HANDLING, INSTALLING AND OPERATING, SEE INSTRUCTION 475A667AAP001
COPPER CONDUCTOR PRIMARY: 10 KV BIL SECONDARY: 10 KV BIL

IN ACCORDANCE WITH NEC SECTION 450-9, ALLOW AT LEAST SIX INCHES CLEARANCE FOR VENTILATION. CHECK ADDITIONAL NEC AND LOCAL CODES.



Outline: 3038919AAP179
Assembled in Mexico

INSPECTION & FINAL TEST
N536!

