

Transformer

NEMA CLASS AA DRY TYPE TRANSFORMER



1M0000000

Catalog Number
9T83C9870G90

Type QL

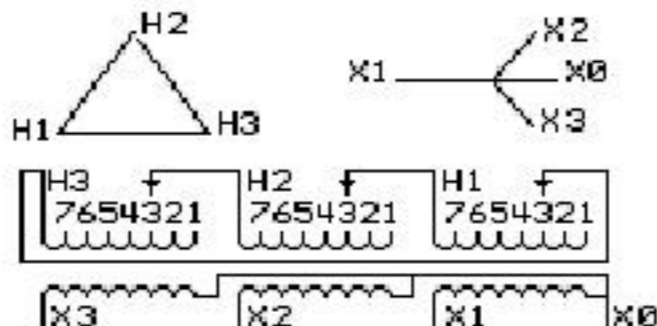
11.0 KVA 60 HZ 3 PH 3.4 % IMP

40 C AMB. 80 C RISE 220 C SYSTEM IS-19C

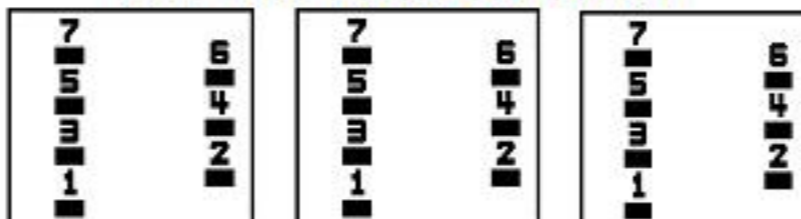
Note: Design is based on 15.00KVA & 115C Rise 5.7% Imp.

PRIMARY (H) 480 VOLTS (LINE-LINE)
SECONDARY (X) 208 VOLTS (LINE-LINE)
120 VOLTS (LINE-NEUTRAL)

NOT FOR SALE FOR USE IN THE UNITED STATES



COIL TAP ARRANGEMENT



JUMPER CONNECTION	
TAP	VOLTS
1	505
2	492
3	480
4	467
5	456
6	445
7	432

NET WGT
250 LB
113.4 Kg

60744

XV371

NOG

032916

INSPECTION
&
FINAL TEST
N614!



LISTED 769G

ENCLOSURE TYPE 2 (IP20). RAINPROOF TYPE 3R ENCLOSURE (IP22) WHEN PROVIDED SHIELD 9T18Y4317G11

BEFORE HANDLING, INSTALLING AND OPERATING, SEE INSTRUCTION 475A667AAP001
COPPER CONDUCTOR PRIMARY: 10 KV BIL SECONDARY: 10 KV BIL

Outline: 303B401AAP071

IN ACCORDANCE WITH NEC SECTION 450-9, ALLOW AT LEAST SIX INCHES
CLEARANCE FOR VENTILATION. CHECK ADDITIONAL NEC AND LOCAL CODES.

Assembled in Mexico

X3 - X2 - X1 - X0
- H3 - H2 - H1

Note: Standard

X0

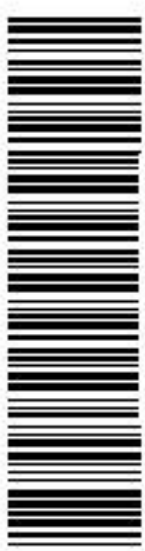
X1 - H1
X2 - H2
X3 - H3



2M0000000

X0

X1 - H1
X2 - H2
X3 - H3



3M0000000