

# Transformer

NEMA CLASS AA DRY TYPE TRANSFORMER



\*1M0000000\*

X0

X0

Catalog Number Type QL-WP

9Q3C015AAA01A03RL3T

9T83C9871G64

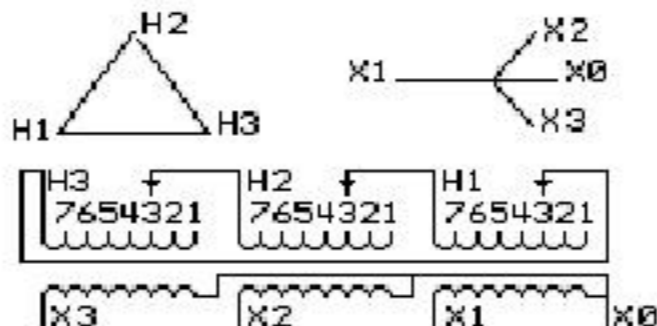
15.0 KVA 60 HZ 3 PH 5.7 % IMP

40 C AMB. 150 C RISE 220 C SYSTEM IS-19C

Note: Design is based on 15.00KVA & 115C Rise 5.7% Imp.

PRIMARY (H) 480 VOLTS (LINE-LINE)  
 SECONDARY (X) 208 VOLTS (LINE-LINE)  
 120 VOLTS (LINE-NEUTRAL)

NOT FOR SALE FOR USE IN THE UNITED STATES



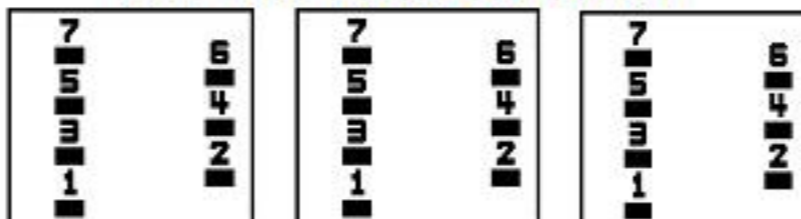
| JUMPER CONNECTION |       |
|-------------------|-------|
| TAP               | VOLTS |
| 1                 | 505   |
| 2                 | 492   |
| 3                 | 480   |
| 4                 | 467   |
| 5                 | 456   |
| 6                 | 445   |
| 7                 | 432   |

NET WGT  
250 LB  
113.4 Kg

60744  
XV371  
NOG  
032916

INSPECTION & FINAL TEST N614!

### COIL TAP ARRANGEMENT



LISTED 769G

ENCLOSURE TYPE 2 (IP20). RAINPROOF TYPE 3R ENCLOSURE (IP22) WHEN PROVIDED SHIELD

Assembled in Mexico

BEFORE HANDLING, INSTALLING AND OPERATING, SEE INSTRUCTION 475A667AAP001  
 COPPER CONDUCTOR PRIMARY: 10 KV BIL SECONDARY: 10 KV BIL

Outline: 303B401AAP071

IN ACCORDANCE WITH NEC SECTION 450-9, ALLOW AT LEAST SIX INCHES CLEARANCE FOR VENTILATION. CHECK ADDITIONAL NEC AND LOCAL CODES.

X3 - X2 - X1 - X0  
 - H3 - H2 - H1

Note: Standard

X1 - X2 - X3 - H1 - H2 - H3

X1 - X2 - X3 - H1 - H2 - H3



\*2M0000000\*



\*3M0000000\*