

# Transformer

NEMA CLASS AA DRY TYPE TRANSFORMER



\*1M000000\*

X0

X0

Catalog Number  
9T83C9871G66

Type QL-WP

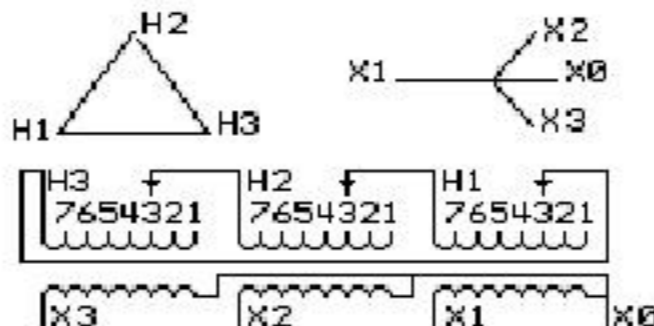
NOT FOR SALE FOR USE IN THE UNITED STATES

15.0 KVA 60 HZ 3 PH 5.7 % IMP

40 C AMB. 115 C RISE 220 C SYSTEM IS-19C

Note: Design is based on 15.00KVA & 115C Rise 5.7% Imp.

PRIMARY (H) 480 VOLTS (LINE-LINE)  
SECONDARY (X) 208 VOLTS (LINE-LINE)  
120 VOLTS (LINE-NEUTRAL)



JUMPER CONNECTION	
TAP	VOLTS
1	505
2	492
3	480
4	467
5	456
6	445
7	432

NET WGT  
250 LB  
113.4 Kg

60744

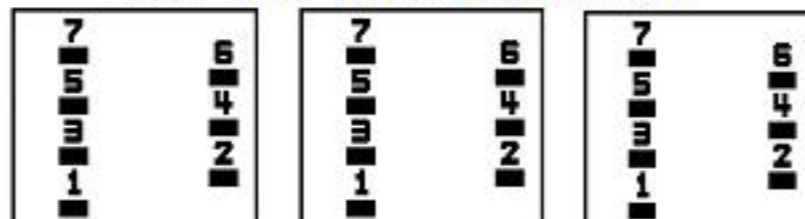
XV371

NOG

032916

INSPECTION  
&  
FINAL TEST  
N614!

### COIL TAP ARRANGEMENT



LISTED 769G

ENCLOSURE TYPE 2 (IP20). RAINPROOF TYPE 3R ENCLOSURE (IP22) WHEN PROVIDED SHIELD

Assembled in Mexico

BEFORE HANDLING, INSTALLING AND OPERATING, SEE INSTRUCTION 475A667AAP001  
COPPER CONDUCTOR PRIMARY: 10 KV BIL SECONDARY: 10 KV BIL

Outline: 303B401AAP071

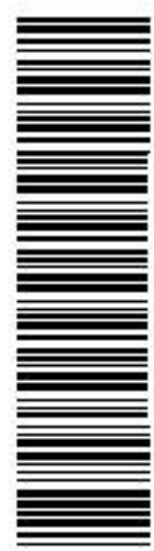
IN ACCORDANCE WITH NEC SECTION 450-9, ALLOW AT LEAST SIX INCHES  
CLEARANCE FOR VENTILATION. CHECK ADDITIONAL NEC AND LOCAL CODES.

X3 - X2 - X1 - X0  
- H3 - H2 - H1

Note: Standard



\*2M000000\*



\*3M000000\*