

Transformer

NEMA CLASS AA DRY TYPE TRANSFORMER



1M000000

Catalog Number **Type QL**

9Q3C030AAAA01R2T00

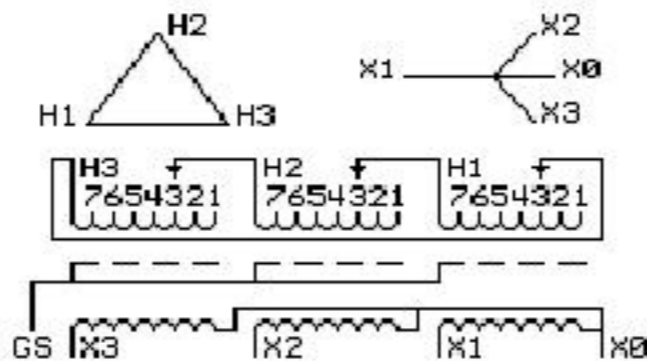
9T83C9872G25

30.0 KVA 60 HZ 3 PH 3.3 % IMP

50 C AMB. 115 C RISE 220 C SYSTEM IS-19C

Note: Design is based on 45.00KVA & 150C Rise 5.5% Imp.

NOT FOR SALE FOR USE IN THE UNITED STATES



JUMPER CONNECTION	
TAP	VOLTS
1	503
2	492
3	480
4	469
5	455
6	443
7	432

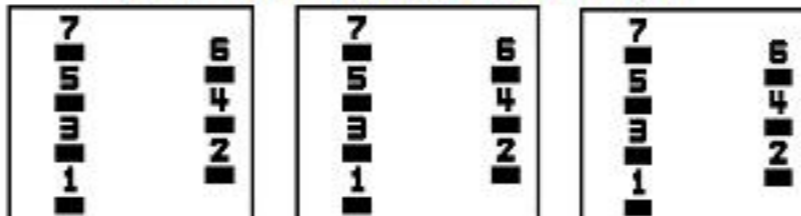
NET WGT
490 LB
222.3 Kg

60762
XV373
NOG
032916

INSPECTION
&
FINAL TEST
N614!

PRIMARY (H) 480 VOLTS (LINE-LINE)
SECONDARY (X) 208 VOLTS (LINE-LINE)
120 VOLTS (LINE-NEUTRAL)

COIL TAP ARRANGEMENT



LISTED 769G

ELECTROSTATIC GROUND SHIELD IN EACH PHASE

ENCLOSURE TYPE 2 (IP20). RAINPROOF TYPE 3R ENCLOSURE (IP22) WHEN PROVIDED SHIELD 9T18Y4317G05

Assembled in Mexico

BEFORE HANDLING, INSTALLING AND OPERATING, SEE INSTRUCTION 475A667AAP001
COPPER CONDUCTOR PRIMARY: 10 KV BIL SECONDARY: 10 KV BIL

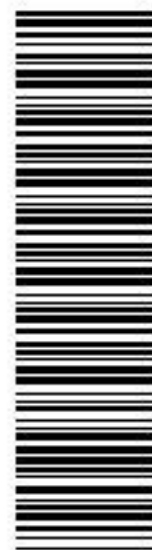
Outline: 303B401AAP073

IN ACCORDANCE WITH NEC SECTION 450-9, ALLOW AT LEAST SIX INCHES
CLEARANCE FOR VENTILATION. CHECK ADDITIONAL NEC AND LOCAL CODES.

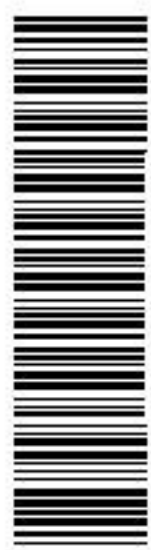
X3 - X2 - X1 - -
- H3 - H2 - H1

Note: X0 Terminal at the bottom

X1 - -
X2 - - H1
X3 - - H3 - H2 - H1
X0



2M000000



3M000000