

# Transformer

NEMA CLASS AA DRY TYPE TRANSFORMER



\*1M0000000\*

Catalog Number Type QL

9Q3C025AAAA00C2T30

9T83C9872G91

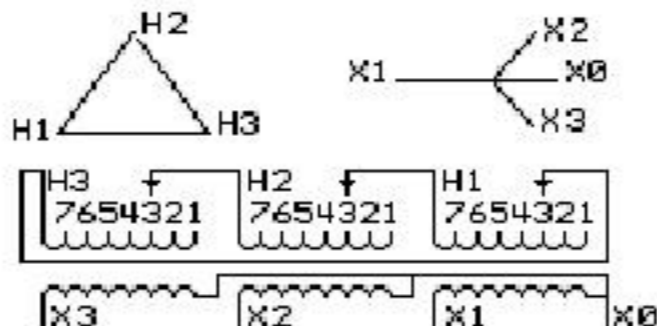
30.0 KVA 60 HZ 3 PH 2.8 % IMP

40 C AMB. 80 C RISE 220 C SYSTEM IS-19C

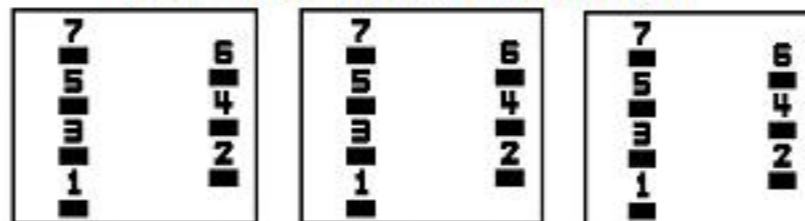
Note: Design is based on 45.00KVA & 150C Rise 6% Imp.

PRIMARY (H) 480 VOLTS (LINE-LINE)  
 SECONDARY (X) 208 VOLTS (LINE-LINE)  
 120 VOLTS (LINE-NEUTRAL)

NOT FOR SALE FOR USE IN THE UNITED STATES



COIL TAP ARRANGEMENT



JUMPER CONNECTION TAP	VOLTS
1	504
2	491
3	480
4	467
5	456
6	443
7	432

NET WGT  
490 LB  
222.3 Kg

53645  
XV373

NOG  
032916

INSPECTION & FINAL TEST  
N614!



LISTED 769G

Assembled in Mexico

ENCLOSURE TYPE 2 (IP20). RAINPROOF TYPE 3R ENCLOSURE (IP22) WHEN PROVIDED SHIELD 9T18Y4317G05

BEFORE HANDLING, INSTALLING AND OPERATING, SEE INSTRUCTION 475A667AAP001  
 COPPER CONDUCTOR PRIMARY: 10 KV BIL SECONDARY: 10 KV BIL

Outline: 303B401AAP073

IN ACCORDANCE WITH NEC SECTION 450-9, ALLOW AT LEAST SIX INCHES CLEARANCE FOR VENTILATION. CHECK ADDITIONAL NEC AND LOCAL CODES.

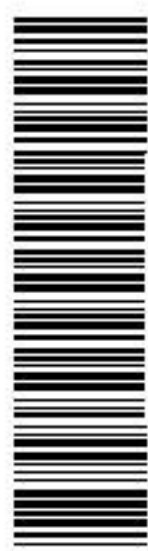
X3 - X2 - X1 - -  
 - H3 - H2 - H1

Note: X0 Terminal at the bottom

X1 - -  
 X2 - - H1  
 X3 - - H3  
 X1 - -  
 X2 - - H2  
 X3 - - H3  
 X0



\*2M0000000\*



\*3M0000000\*