



Transformer



1M000000

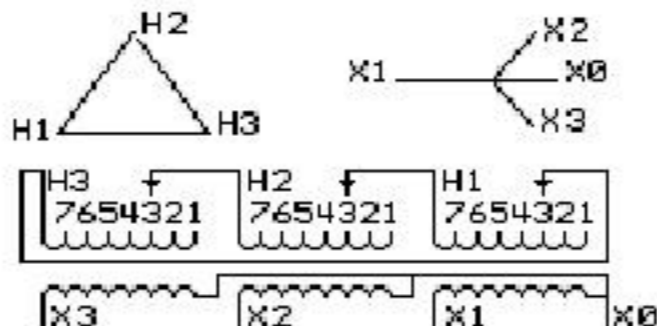
Catalog Number **9Q3C045AAA01A03RL0T** Type **QL-WP**

9T83C9873G62

45.0 KVA 60 HZ 3 PH 5 % IMP

40 C AMB. 150 C RISE 220 C SYSTEM IS-19C

Note: Design is based on 45.00KVA & 150C Rise 5% Imp.



JUMPER CONNECTION	
TAP	VOLTS
1	503
2	492
3	480
4	468
5	457
6	445
7	430

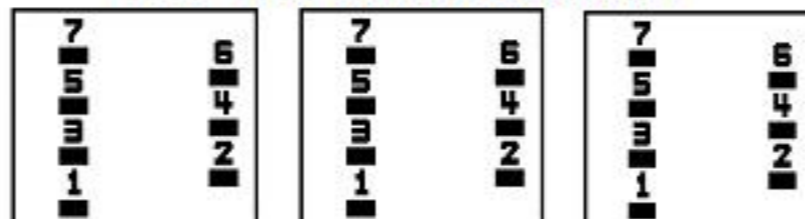
NET WGT
450 LB
204.1 Kg

55480
Y373C
NOG
081515

INSPECTION
&
FINAL TEST
N533!

PRIMARY (H) 480 VOLTS (LINE-LINE)
 SECONDARY (X) 208 VOLTS (LINE-LINE)
 120 VOLTS (LINE-NEUTRAL)

COIL TAP ARRANGEMENT



LISTED 769G

ENCLOSURE TYPE 3R (IP22)

BEFORE HANDLING, INSTALLING AND OPERATING, SEE INSTRUCTION 475A667AAP001
COPPER CONDUCTOR PRIMARY: 10 KV BIL SECONDARY: 10 KV BIL

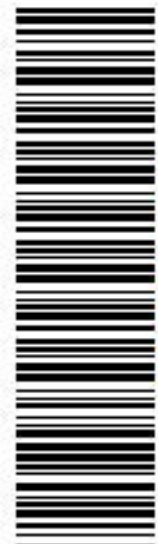
Outline: 303B401AAP073

Assembled in Mexico

IN ACCORDANCE WITH NEC SECTION 450-9, ALLOW AT LEAST SIX INCHES CLEARANCE FOR VENTILATION. CHECK ADDITIONAL NEC AND LOCAL CODES.

X3 - X2 - X1 - -
 - H3 - H2 - H1

Note: X0 Terminal at the bottom



2M000000



3M000000

X3 - X2 - X1 - -
 - H3 - H2 - H1
 X3 - X2 - X1 - -
 - H3 - H2 - H1

X0