

Transformer

NEMA CLASS AA DRY TYPE TRANSFORMER



1M0000000

Catalog Number Type QL-WP

9Q3C045AAA01B03RL0T

9T83C9873G66

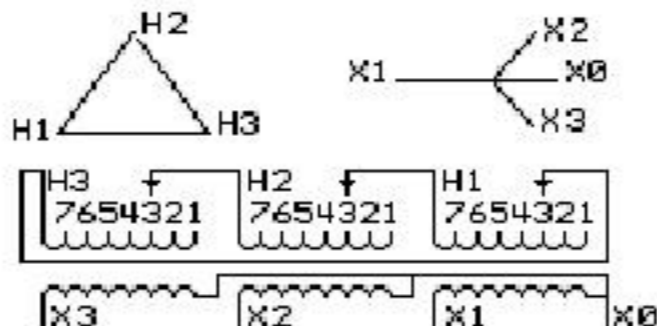
45.0 KVA 60 HZ 3 PH 4.8 % IMP

40 C AMB. 115 C RISE 220 C SYSTEM IS-19C

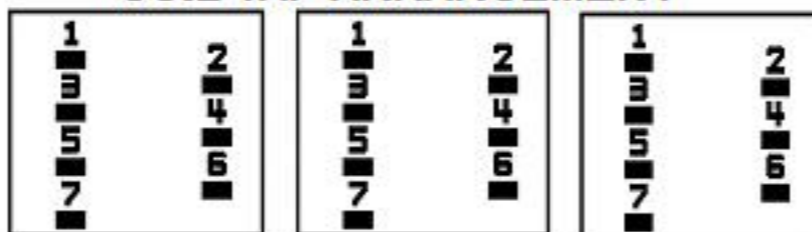
Note: Design is based on 45.00KVA & 115C Rise 4.8% Imp.

PRIMARY (H) 480 VOLTS (LINE-LINE)
 SECONDARY (X) 208 VOLTS (LINE-LINE)
 120 VOLTS (LINE-NEUTRAL)

NOT FOR SALE FOR USE IN THE UNITED STATES



COIL TAP ARRANGEMENT



JUMPER CONNECTION	
TAP	VOLTS
1	504
2	492
3	480
4	469
5	457
6	445
7	431

NET WGT
490 LB
222.3 Kg

60764
XV373
NOG
032916

INSPECTION
&
FINAL TEST
N614!



LISTED 769G

ENCLOSURE TYPE 2 (IP20). RAINPROOF TYPE 3R ENCLOSURE (IP22) WHEN PROVIDED SHIELD

BEFORE HANDLING, INSTALLING AND OPERATING, SEE INSTRUCTION 475A667AAP001
 COPPER CONDUCTOR PRIMARY: 10 KV BIL SECONDARY: 10 KV BIL

Outline: 303B401AAP073

IN ACCORDANCE WITH NEC SECTION 450-9, ALLOW AT LEAST SIX INCHES
 CLEARANCE FOR VENTILATION. CHECK ADDITIONAL NEC AND LOCAL CODES.

Assembled in Mexico

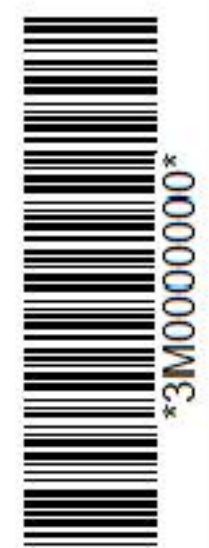
X3 - X2 - X1 - -
 - H3 - H2 - H1

Note: X0 Terminal at the bottom

X1 - -
 X2 - - H1
 X3 - - H3
 X1 - -
 X2 - - H2
 X3 - - H3
 X0



2M0000000



3M0000000