



# Transformer



\*1M000000\*

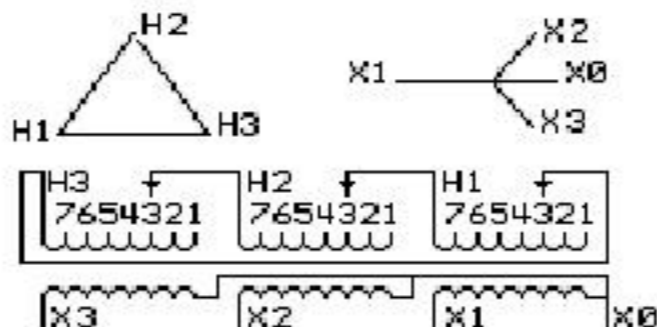
Catalog Number **9Q3C075AAA01B03RL0T** Type **QL-WP**

**9T83C9874G66**

**75.0 KVA 60 HZ 3 PH 4.5 % IMP**

40 C AMB. 115 C RISE 220 C SYSTEM IS-19C

Note: Design is based on 75.00KVA & 115C Rise 4.5% Imp.



JUMPER CONNECTION	
TAP	VOLTS
1	504
2	492
3	480
4	469
5	457
6	445
7	434

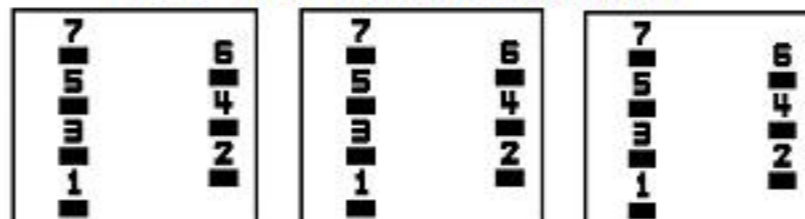
NET WGT  
710 LB  
322.1 Kg

56653  
XV374  
NOG  
081915

INSPECTION  
&  
FINAL TEST  
N534!

PRIMARY (H) 480 VOLTS (LINE-LINE)  
 SECONDARY (X) 208 VOLTS (LINE-LINE)  
 120 VOLTS (LINE-NEUTRAL)

### COIL TAP ARRANGEMENT



LISTED 769G

ENCLOSURE TYPE 3R (IP22)

Assembled in Mexico

BEFORE HANDLING, INSTALLING AND OPERATING, SEE INSTRUCTION 475A667AAP001  
COPPER CONDUCTOR PRIMARY: 10 KV BIL SECONDARY: 10 KV BIL

Outline: 303B401AAP074

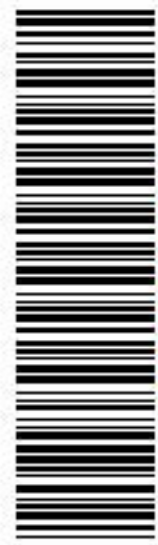
IN ACCORDANCE WITH NEC SECTION 450-9, ALLOW AT LEAST SIX INCHES CLEARANCE FOR VENTILATION. CHECK ADDITIONAL NEC AND LOCAL CODES.

X3 - X2 - X1 - -  
 - H3 - H2 - H1

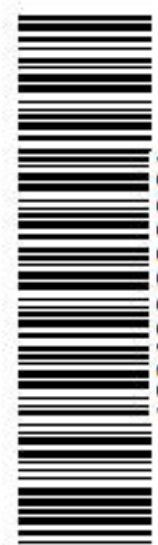
Note: X0 Terminal at the bottom

X3 - X2 - X1 -  
 - H3 - H2 - H1  
 X3 - X2 - X1 -  
 - H3 - H2 - H1

X0



\*2M000000\*



\*3M000000\*