



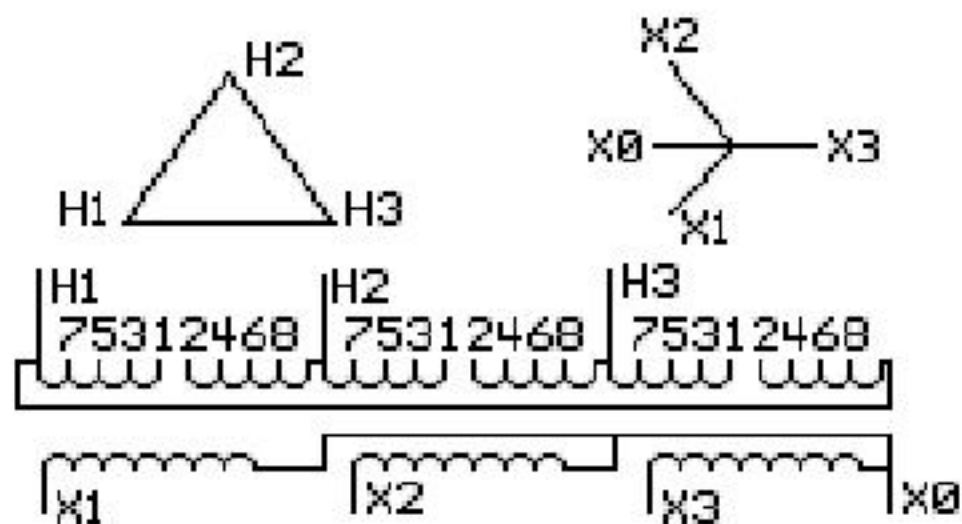
# Transformer

Catalog Number

**9T83C9877G04**

**225.0 KVA    60 HZ    3 PH    7.6 % IMP**

40 C AMB.    150 C RISE    220 C SYSTEM    IS-19C    Type: QL

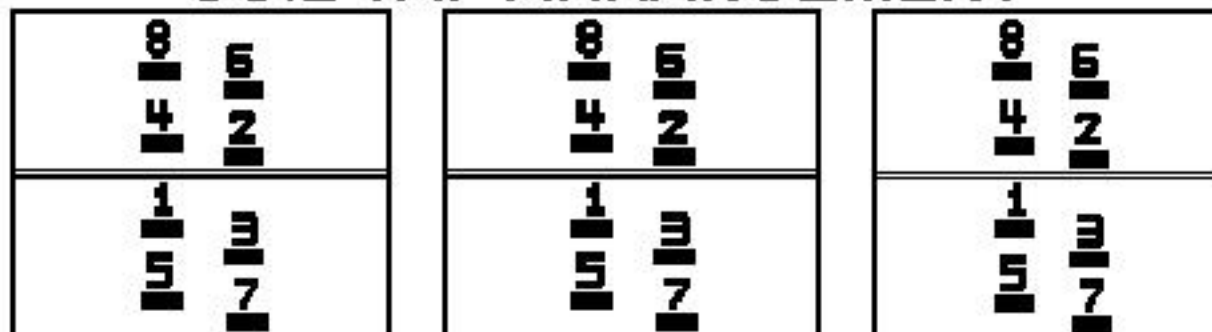


### JUMPER CONNECTION

TAP	VOLTS
1-2	507
2-3	494
3-4	480
4-5	467
5-6	454
6-7	447
7-8	434

PRIMARY (H)    480 VOLTS (LINE-LINE)  
 SECONDARY (X)    208 VOLTS (LINE-LINE)  
                           120 VOLTS (LINE-NEUTRAL)

### COIL TAP ARRANGEMENT



NET WGT 1400 LB    635.0 Kg

111015    N546!    L37AA  
                   47227    NOG



ENCLOSURE TYPE 2 (IP30). RAINPROOF TYPE 3R ENCLOSURE (IP32) WHEN PROVIDED SHIELD 9T18Y4322G88

BEFORE HANDLING, INSTALLING AND OPERATING, SEE INSTRUCTION 475A667AAP001  
 COPPER CONDUCTOR    PRIMARY: 10 KV BIL    SECONDARY: 10 KV BIL

**IN ACCORDANCE WITH NEC SECTION 450-9, ALLOW AT LEAST SIX INCHES  
 CLEARANCE FOR VENTILATION. CHECK ADDITIONAL NEC AND LOCAL CODES.**



LISTED 769G

Outline: 303B912AAP177  
 Assembled in Mexico

INSPECTION & FINAL TEST  
 N546!