



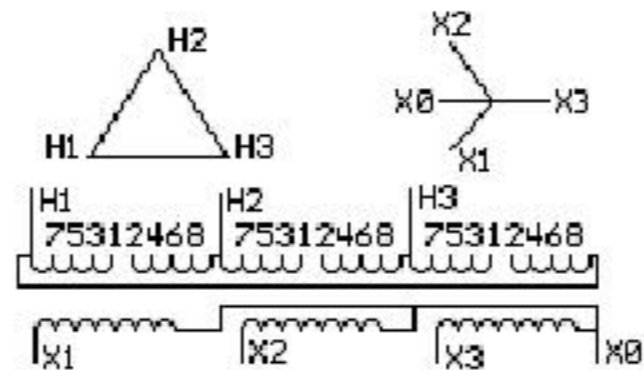
Transformer

Catalog Number

9T83C9879G04

500.0 KVA 60 HZ 3 PH 4.7 % IMP

40 C AMB. 150 C RISE 220 C SYSTEM IS-19C Type: QL

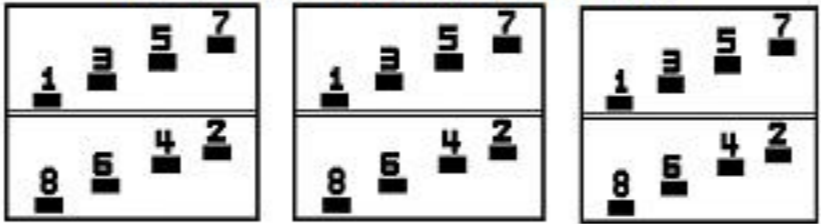


JUMPER CONNECTION

TAP	VOLTS
1-2	500
2-3	490
3-4	480
4-5	470
5-6	460
6-7	440
7-8	430

PRIMARY (H) 480 VOLTS (LINE-LINE)
 SECONDARY (X) 208 VOLTS (LINE-LINE)
 120 VOLTS (LINE-NEUTRAL)

COIL TAP ARRANGEMENT



NET WGT 2900 LB 1315.4 Kg
 090115 N536! L39AA
 55827 NOG

ENCLOSURE TYPE 2 (IP30). RAINPROOF TYPE 3R ENCLOSURE (IP32) WHEN PROVIDED SHIELD 9T18Y4322G68

BEFORE HANDLING, INSTALLING AND OPERATING, SEE INSTRUCTION 475A667AAP001
 COPPER CONDUCTOR PRIMARY: 10 KV BIL SECONDARY: 10 KV BIL

IN ACCORDANCE WITH NEC SECTION 450-9, ALLOW AT LEAST SIX INCHES CLEARANCE FOR VENTILATION. CHECK ADDITIONAL NEC AND LOCAL CODES.



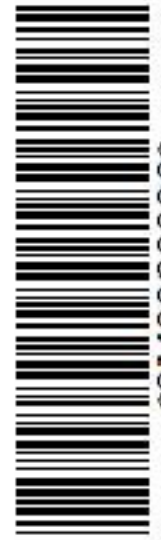
LISTED 769G

Outline: 3038912AAP179
 Assembled in Mexico

INSPECTION & FINAL TEST
 N536!



1M000000



3M000000