



# Transformer



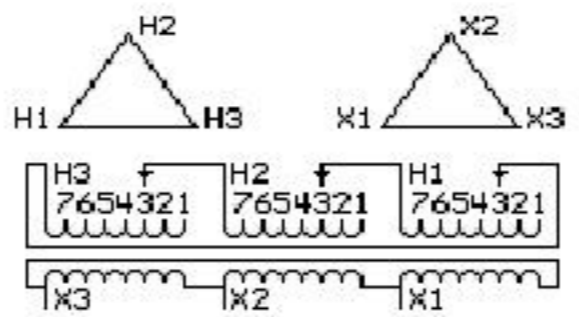
\*1M000000\*

Catalog Number **9Q3C025AAAB00A2T00** Type **QL**  
**9T83C9882G51**

**25.0 KVA 60 HZ 3 PH 5.3 % IMP**

40 C AMB. 150 C RISE 220 C SYSTEM IS-19C

Note: Design is based on 30.00KVA & 150C Rise 6.3% Imp.



JUMPER CONNECTION	
TAP	VOLTS
1	504
2	491
3	480
4	469
5	456
6	444
7	431

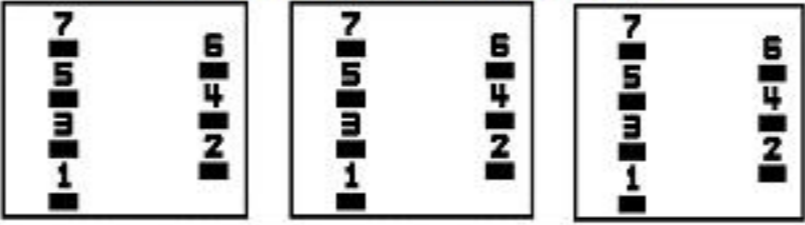
NET WGT  
377 LB  
171.0 Kg

55903  
XV372  
NOG  
090715

INSPECTION & FINAL TEST  
N537!

PRIMARY (H) 480 VOLTS (LINE-LINE)  
SECONDARY (X) 240 VOLTS (LINE-LINE)

### COIL TAP ARRANGEMENT



LISTED 769G

ENCLOSURE TYPE 2 (IP30). RAINPROOF TYPE 3R ENCLOSURE (IP32) WHEN PROVIDED SHIELD 9T18Y4317G05

Assembled in Mexico

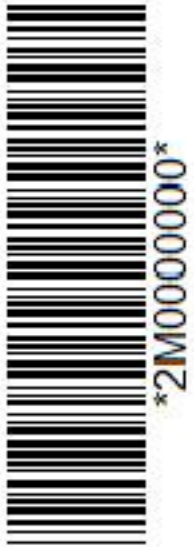
BEFORE HANDLING, INSTALLING AND OPERATING, SEE INSTRUCTION 475A667AAP001 Outline: 303B401AAP072  
COPPER CONDUCTOR PRIMARY: 10 KV BIL SECONDARY: 10 KV BIL

X3 - X2 - X1 - -  
- H3 - H2 - H1

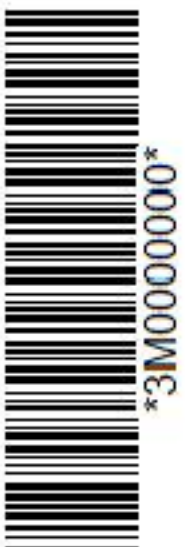
IN ACCORDANCE WITH NEC SECTION 450-9, ALLOW AT LEAST SIX INCHES CLEARANCE FOR VENTILATION. CHECK ADDITIONAL NEC AND LOCAL CODES.

Note: Standard

X3 - X2 - X1 -  
- H3 - H2 - H1  
X3 - X2 - X1 -  
- H3 - H2 - H1



\*2M000000\*



\*3M000000\*