



# Transformer



\*1M000000\*

Catalog Number

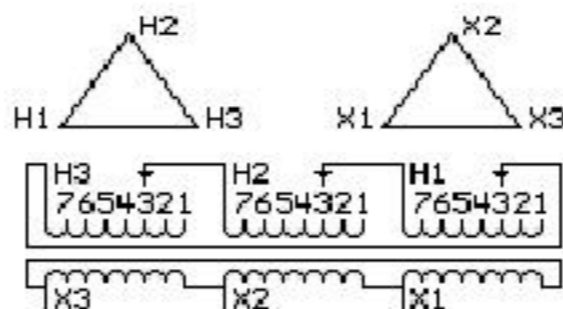
Type QL

9T83C9884G80

75.0 KVA 60 HZ 3 PH 2.6 % IMP

40 C AMB. 80 C RISE 220 C SYSTEM IS-19C

Note: Design is based on 112.5KVA & 150C Rise 4.4% Imp.



JUMPER CONNECTION	
TAP	VOLTS
1	505
2	490
3	480
4	470
5	455
6	445
7	430

NET WGT  
950 LB  
430.9 Kg

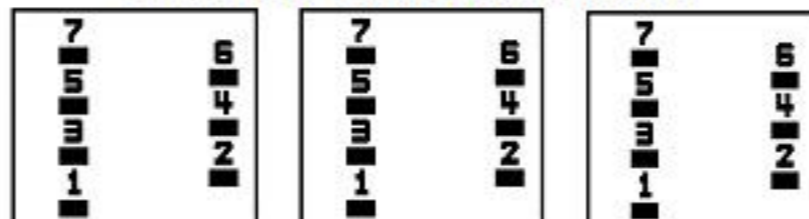
43056  
XV375

NOG  
080315

INSPECTION  
&  
FINAL TEST  
N532!

PRIMARY (H) 480 VOLTS (LINE-LINE)  
 SECONDARY (X) 240 VOLTS (LINE-LINE)

### COIL TAP ARRANGEMENT



LISTED 769G

ENCLOSURE TYPE 2 (IP30). RAINPROOF TYPE 3R ENCLOSURE (IP32) WHEN PROVIDED SHIELD 9T18Y4317G06

Assembled in Mexico

BEFORE HANDLING, INSTALLING AND OPERATING, SEE INSTRUCTION 475A667AAP001  
COPPER CONDUCTOR PRIMARY: 10 KV BIL SECONDARY: 10 KV BIL

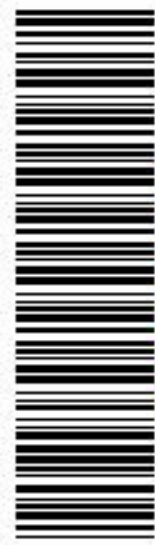
Outline: 303B401AAP075

IN ACCORDANCE WITH NEC SECTION 450-9, ALLOW AT LEAST SIX INCHES CLEARANCE FOR VENTILATION. CHECK ADDITIONAL NEC AND LOCAL CODES.

X3 - X2 - X1 - -  
 - H3 - H2 - H1

Note: Standard

X3 - X2 - X1 - -  
 - H3 - H2 - H1  
 X3 - X2 - X1 - -  
 - H3 - H2 - H1



\*2M000000\*



\*3M000000\*