



Transformer



1M000000

Catalog Number

Type QL

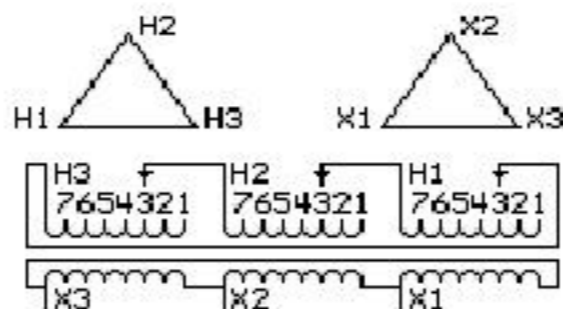
9Q3C112AAAB00R2T00

9T83C9885G14

112.5 KVA 60 HZ 3 PH 4.7 % IMP

50 C AMB. 115 C RISE 220 C SYSTEM IS-19C

Note: Design is based on 112.5KVA & 80C Rise 4.6% Imp.



JUMPER CONNECTION	
TAP	VOLTS
1	504
2	490
3	480
4	470
5	456
6	442
7	432

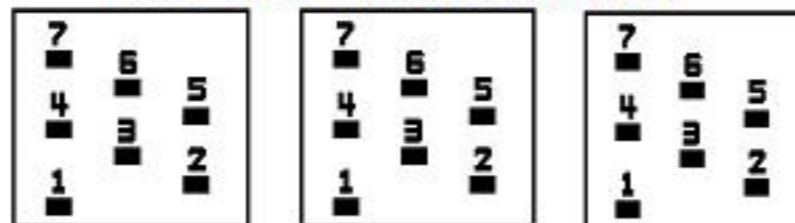
NET WGT
1190 LB
539.8 Kg

56723
XV376
NOG
082615

INSPECTION
&
FINAL TEST
N535!

PRIMARY (H) 480 VOLTS (LINE-LINE)
SECONDARY (X) 240 VOLTS (LINE-LINE)

COIL TAP ARRANGEMENT



ENCLOSURE TYPE 2 (IP30). RAINPROOF TYPE 3R ENCLOSURE (IP32) WHEN PROVIDED SHIELD 9T18Y4317G07

Assembled in Mexico

BEFORE HANDLING, INSTALLING AND OPERATING, SEE INSTRUCTION 475A667AAP001
COPPER CONDUCTOR PRIMARY: 10 KV BIL SECONDARY: 10 KV BIL

Outline: 303B401AAP076

IN ACCORDANCE WITH NEC SECTION 450-9, ALLOW AT LEAST SIX INCHES
CLEARANCE FOR VENTILATION. CHECK ADDITIONAL NEC AND LOCAL CODES.

X3 - X2 - X1 - -
- H3 - H2 - H1

Note: Standard

X1 - - H1
X2 - - H2
X3 - - H3



2M000000



3M000000