



# Transformer



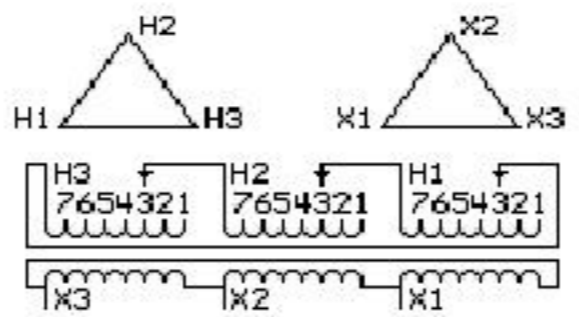
\*1M000000\*

Catalog Number **9Q3C112AAAB00C2T30** Type **QL**  
**9T83C9885G90**

**112.5 KVA 60 HZ 3 PH 4.6 % IMP**

40 C AMB. 80 C RISE 220 C SYSTEM IS-19C

Note: Design is based on 112.5KVA & 80C Rise 4.6% Imp.



JUMPER CONNECTION	
TAP	VOLTS
1	504
2	490
3	480
4	470
5	456
6	442
7	432

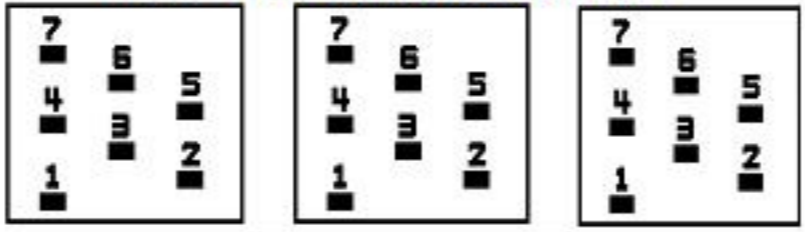
NET WGT  
1190 LB  
539.8 Kg

56723  
XV376  
NOG  
082615

INSPECTION & FINAL TEST N535!

PRIMARY (H) 480 VOLTS (LINE-LINE)  
SECONDARY (X) 240 VOLTS (LINE-LINE)

### COIL TAP ARRANGEMENT



ENCLOSURE TYPE 2 (IP30). RAINPROOF TYPE 3R ENCLOSURE (IP32) WHEN PROVIDED SHIELD 9T18Y4317G07

Assembled in Mexico

BEFORE HANDLING, INSTALLING AND OPERATING, SEE INSTRUCTION 475A667AAP001 Outline: 303B401AAP076  
COPPER CONDUCTOR PRIMARY: 10 KV BIL SECONDARY: 10 KV BIL

X3 - X2 - X1 - -  
- H3 - H2 - H1

IN ACCORDANCE WITH NEC SECTION 450-9, ALLOW AT LEAST SIX INCHES CLEARANCE FOR VENTILATION. CHECK ADDITIONAL NEC AND LOCAL CODES.

Note: Standard

X3 - X2 - X1 - -  
- H3 - H2 - H1

