



# Transformer



\*1M000000\*

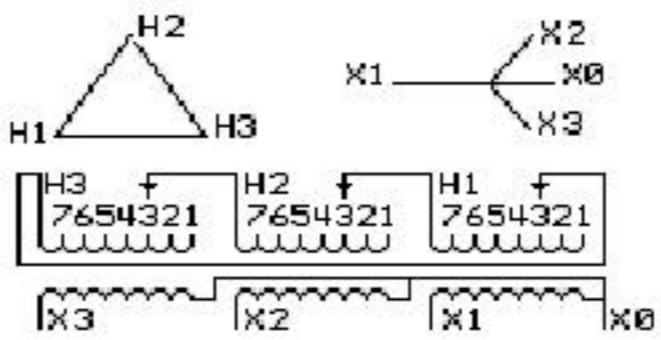
Catalog Number **9Q5C015AAA00A2T30** Type **QL**

**9T83C9971G50**

**15.0 KVA 50/60 HZ 3 PH 4.4 % IMP**

40 C AMB. 150 C RISE 220 C SYSTEM IS-19C

Note: Design is based on 15.00KVA & 150C Rise 4.4% Imp.



JUMPER CONNECTION	
TAP	VOLTS
1	504
2	492
3	480
4	468
5	456
6	444
7	432

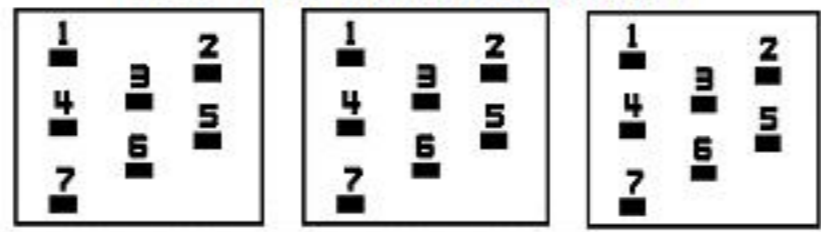
NET WGT  
250 LB  
113.4 Kg

57013  
XV371  
NOG  
090815

INSPECTION  
&  
FINAL TEST  
N537!

PRIMARY (H) 480 VOLTS (LINE-LINE)  
 SECONDARY (X) 208 VOLTS (LINE-LINE)  
 120 VOLTS (LINE-NEUTRAL)

### COIL TAP ARRANGEMENT



LISTED 769G

ENCLOSURE TYPE 2 (IP30). RAINPROOF TYPE 3R ENCLOSURE (IP32) WHEN PROVIDED SHIELD 9T18Y4317G11

BEFORE HANDLING, INSTALLING AND OPERATING, SEE INSTRUCTION 475A667AAP001 Outline: 303B401AAP071  
COPPER CONDUCTOR PRIMARY: 10 KV BIL SECONDARY: 10 KV BIL

IN ACCORDANCE WITH NEC SECTION 450-9, ALLOW AT LEAST SIX INCHES CLEARANCE FOR VENTILATION. CHECK ADDITIONAL NEC AND LOCAL CODES.

Assembled in Mexico

X3 - X2 - X1 - X0  
 - H3 - H2 - H1

Note: Standard

X0

X1 -

X2 -

X3 -

H3 - H2 - H1

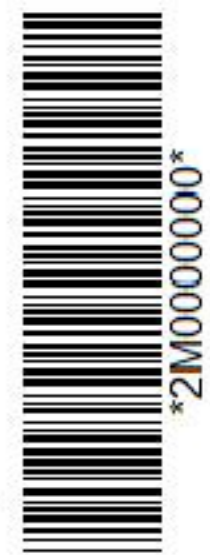
X0

X1 -

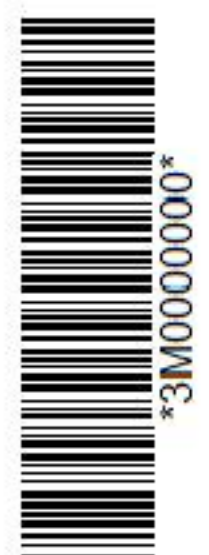
X2 -

X3 -

H3 - H2 - H1



\*2M000000\*



\*3M000000\*