



Catalog Number
9T83E3634

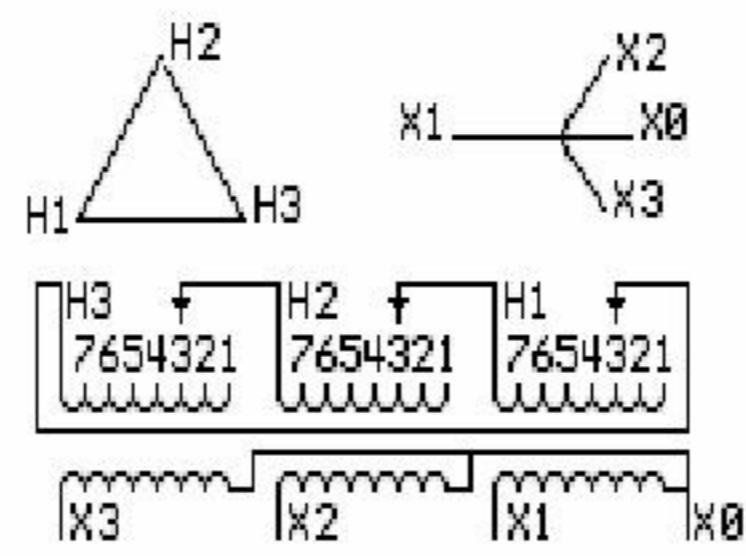
TYPE **QL**

75.0 KVA 60 HZ 3 PH 6.1 % IMP

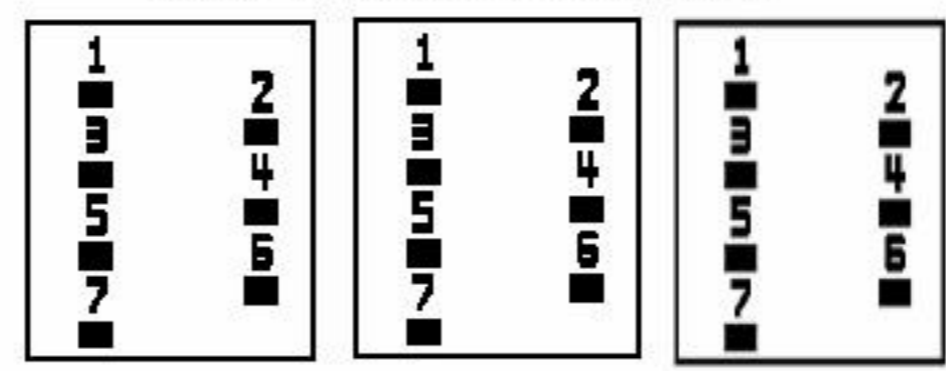
40 C AMB. 150 C RISE 220 C SYSTEM IS-19C

Note: Design is based on 75.00KVA & 150C Rise 6.1% Imp.

PRIMARY (H) 600 VOLTS (LINE-LINE)
SECONDARY (X) 480 VOLTS (LINE-LINE)
277 VOLTS (LINE-NEUTRAL)



COIL TAP ARRANGEMENT



JUMPER CONNECTION	
TAP	VOLTS
1	630
2	615
3	600
4	587
5	569
6	554
7	540

NET WGT
620 LB
281.2 Kg
833634
55628
XU374
NOG
072915

INSPECTION
&
FINAL TEST
N531!



ENCLOSURE TYPE 2 (IP30). RAINPROOF TYPE 3R ENCLOSURE (IP32) WHEN PROVIDED SHIELD 9T18E4317G06

BEFORE HANDLING, INSTALLING AND OPERATING, SEE INSTRUCTION 475A667AAP001
ALUMINUM CONDUCTOR PRIMARY: 10 KV BIL SECONDARY: 10 KV BIL

IN ACCORDANCE WITH NEC SECTION 450-9, ALLOW AT LEAST SIX INCHES CLEARANCE FOR VENTILATION. CHECK ADDITIONAL NEC AND LOCAL CODES.

Assembled in Mexico

X3 - X2 - X1 - -
- H3 - H2 - H1

Note: X0 Terminal at the bottom

X0

X3 - X2 - H3 - H2 - H1

X3 - X2 - H3 - H2 - H1

X1 - H1

X1 - H1

X3 - X2 - H3 - H2 - H1

X3 - X2 - H3 - H2 - H1

2M000000

3M000000