



Drive Isolation Transformer



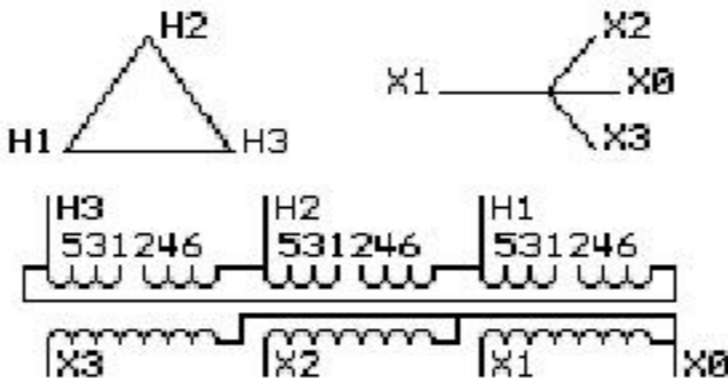
1M0000000

Catalog Number **9T83K4005G86** Type **QL**

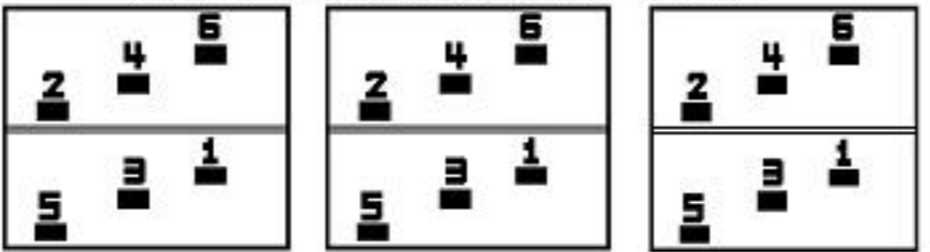
51.0 KVA 60 HZ 3 PH 6 % IMP

40 C AMB. 150 C RISE 220 C SYSTEM IS-19C

PRIMARY (H) 575 VOLTS (LINE-LINE)
SECONDARY (X) 325 VOLTS (LINE-LINE)
188 VOLTS (LINE-NEUTRAL)



COIL TAP ARRANGEMENT



JUMPER CONNECTION	
TAP	VOLTS
1-2	604
3-4	575
5-6	547

NET WGT
415 LB
188.2 Kg

58879
XU373
NOG
122115

INSPECTION
&
FINAL TEST
N552!



ENCLOSURE TYPE 2 (IP30). RAINPROOF TYPE 3R ENCLOSURE (IP32) WHEN PROVIDED SHIELD 9T18Y4317G05

Assembled in Mexico

BEFORE HANDLING, INSTALLING AND OPERATING, SEE INSTRUCTION 475A667AAP001 Outline: 303B401CAP073
ALUMINUM CONDUCTOR PRIMARY: 10 KV BIL SECONDARY: 10 KV BIL

X3 - X2 - X1 - -
- H3 - H2 - H1

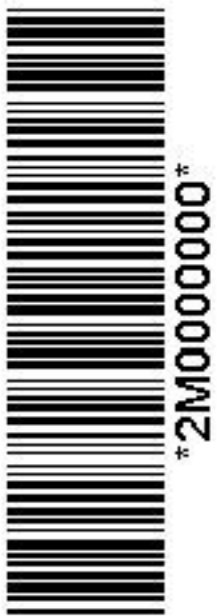
IN ACCORDANCE WITH NEC SECTION 450-9, ALLOW AT LEAST SIX INCHES CLEARANCE FOR VENTILATION. CHECK ADDITIONAL NEC AND LOCAL CODES.

Note: X0 Terminal at the bottom

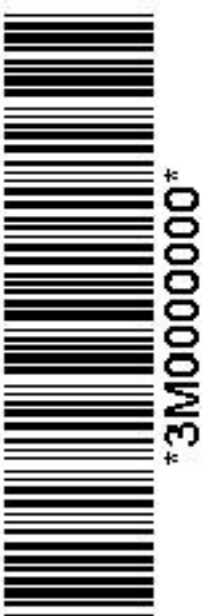
X3 - X2 - X1 - -
- H3 - H2 - H1

X3 - X2 - X1 - -
- H3 - H2 - H1

X0



2M0000000



3M0000000