



Drive Isolation Transformer

NEMA CLASS AA DRY TYPE TRANSFORMER



1M000000

Catalog Number

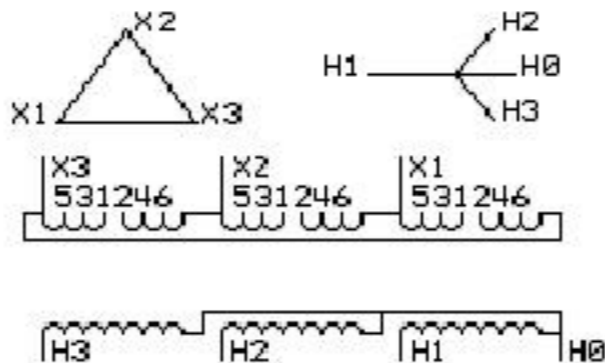
Type QL

9T83K4007G18

75.0 KVA 60 HZ 3 PH 6.7 % IMP

40 C AMB. 150 C RISE 220 C SYSTEM IS-19C

PRIMARY (X) 208 VOLTS (LINE-LINE)
SECONDARY (H) 270 VOLTS (LINE-LINE)
156 VOLTS (LINE-NEUTRAL)



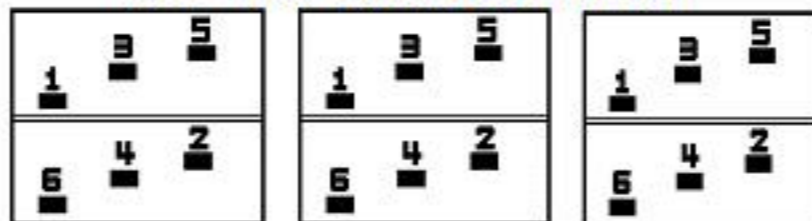
JUMPER CONNECTION	
TAP	VOLTS
1-2	218
2-3	214
3-4	208
4-5	203
5-6	199

NET WGT
620 LB
281.2 Kg

60565
XV374
NOG
031516

INSPECTION & FINAL TEST N612!

COIL TAP ARRANGEMENT



ENCLOSURE TYPE 2 (IP20). RAINPROOF TYPE 3R ENCLOSURE (IP22) WHEN PROVIDED SHIELD 9T18Y4317G06

BEFORE HANDLING, INSTALLING AND OPERATING, SEE INSTRUCTION 475A667AAP001
ALUMINUM CONDUCTOR PRIMARY: 10 KV BIL SECONDARY: 10 KV BIL

Outline: 303B401CAP074

IN ACCORDANCE WITH NEC SECTION 450-9, ALLOW AT LEAST SIX INCHES CLEARANCE FOR VENTILATION. CHECK ADDITIONAL NEC AND LOCAL CODES.

Assembled in Mexico

H3 - H2 - H1 - -
- X3 - X2 - X1

Note: H0 Terminal at the bottom



H3 - H2 - H1 -
- X3 - X2 - X1

H3 - H2 - H1 -
- X3 - X2 - X1

H0