



# Drive Isolation Transformer



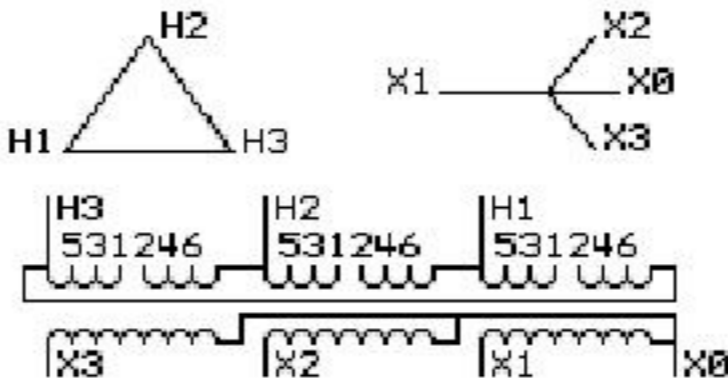
\*1M0000000\*

Catalog Number **9T83K4009G22** Type **QL**

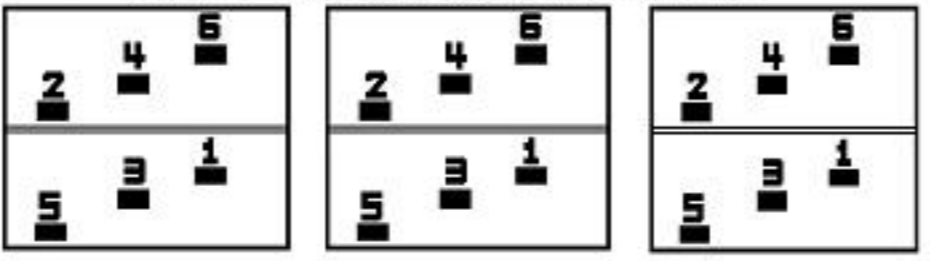
**118.0 KVA 60 HZ 3 PH 5.4 % IMP**

40 C AMB. 150 C RISE 220 C SYSTEM IS-19C

PRIMARY (H) 460 VOLTS (LINE-LINE)  
SECONDARY (X) 460 VOLTS (LINE-LINE)  
266 VOLTS (LINE-NEUTRAL)



### COIL TAP ARRANGEMENT



JUMPER CONNECTION	
TAP	VOLTS
1-2	482
3-4	460
5-6	438

NET WGT  
1070 LB  
485.4 Kg

58880  
XU376  
NOG  
122115

INSPECTION  
&  
FINAL TEST  
N552!



ENCLOSURE TYPE 2 (IP30). RAINPROOF TYPE 3R ENCLOSURE (IP32) WHEN PROVIDED SHIELD 9T18Y4317G07

Assembled in Mexico

BEFORE HANDLING, INSTALLING AND OPERATING, SEE INSTRUCTION 475A667AAP001 Outline: 303B401CAP076  
ALUMINUM CONDUCTOR PRIMARY: 10 KV BIL SECONDARY: 10 KV BIL

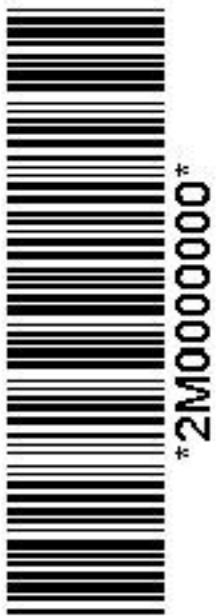
X3 - X2 - X1 - -  
- H3 - H2 - H1

IN ACCORDANCE WITH NEC SECTION 450-9, ALLOW AT LEAST SIX INCHES CLEARANCE FOR VENTILATION. CHECK ADDITIONAL NEC AND LOCAL CODES.

Note: X0 Terminal at the bottom

X3 - X2 - X1 - -  
- H3 - H2 - H1  
X3 - X2 - X1 - -  
- H3 - H2 - H1

X0



\*2M0000000\*



\*3M0000000\*