



Transformer



1M000000

X0

X0

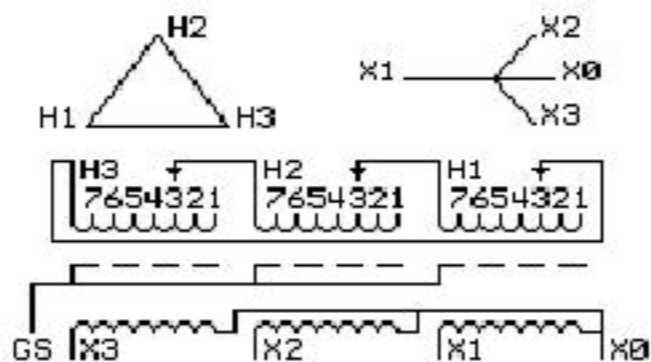
Catalog Number
9T83S3471G03

Type QL

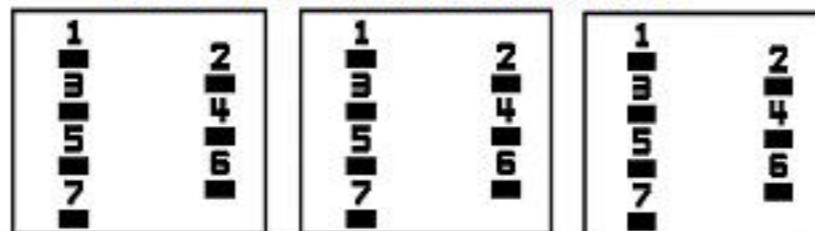
15.0 KVA 60 HZ 3 PH 6.2 % IMP

40 C AMB. 150 C RISE 220 C SYSTEM IS-19C

Note: Design is based on 15.00KVA & 150C Rise 5.8% Imp.



COIL TAP ARRANGEMENT



M-STK2 15.000480
(+2,-4 2.50%)

208Y/120

0911

NN3F3Y015ESTP10ST

N9T18M4317G11T

TRANSFORMER E

ENERGY-NOG H0

0 ASCS

NET WGT

240 LB

108.9 Kg

57765

XV371

NOG

092215

INSPECTION

&

FINAL TEST

N539!

520



LISTED 769G

Assembled in Mexico

X3 - X2 - X1 - X0

- H3 - H2 - H1

Note: Standard

9T83R3871G033F3Y015ESTP10ST 83387103

150922KKE 303B401AAP071 YNNN 40150

220IS-19COL 3 60AL100150Y15.00 5.8 24

0 265 480(+2,-4 2.5

ELECTROSTATIC GROUND SHIELD IN EACH PHASE

ENCLOSURE TYPE 2 (IP30). RAINPROOF TYPE 3R ENCLOSURE (IP32) WHEN PROVIDED SHIELD 9T18S4317G11

BEFORE HANDLING, INSTALLING AND OPERATING, SEE INSTRUCTION 475A667AAP001

Outline: 303B401SAP071

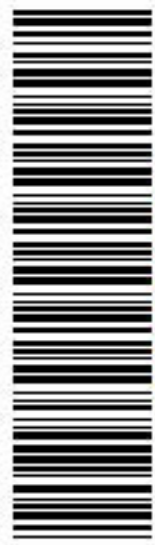
ALUMINUM CONDUCTOR

PRIMARY: 10 KV BIL

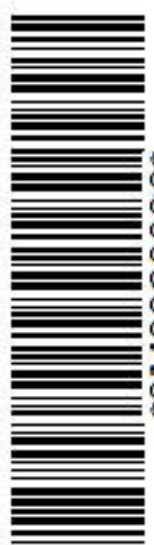
SECONDARY: 10 KV BIL

IN ACCORDANCE WITH NEC SECTION 450-9, ALLOW AT LEAST SIX INCHES

CLEARANCE FOR VENTILATION. CHECK ADDITIONAL NEC AND LOCAL CODES.



2M000000



3M000000

X3

- H3

- H2

- H1

X3

- H3

- H2

- H1