



Transformer



1M000000

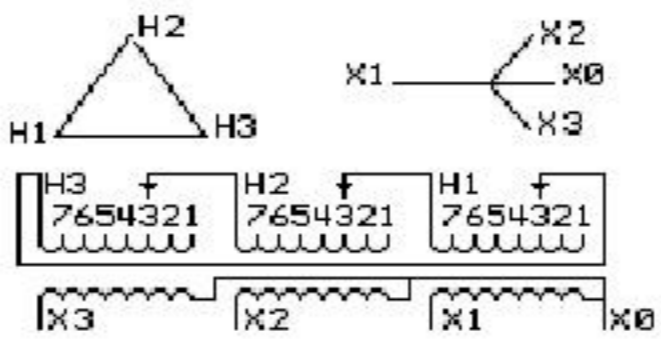
Catalog Number **9Q3A015AAAA00B5T00** Type **QL**

9T83S3871G15

15.0 KVA 60 HZ 3 PH 5.5 % IMP

40 C AMB. 115 C RISE 220 C SYSTEM IS-19C

Note: Design is based on 15.00KVA & 150C Rise 5.5% Imp.



JUMPER CONNECTION TAP	VOLTS
1	504
2	491
3	480
4	469
5	456
6	444
7	431

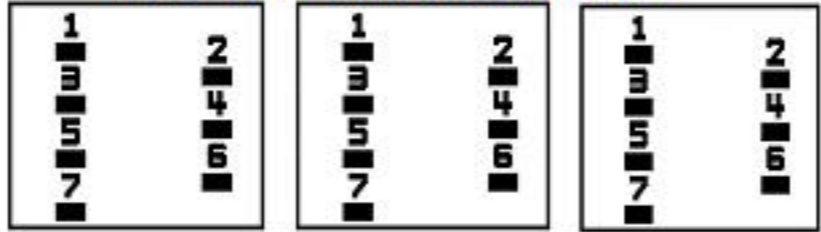
NET WGT
180 LB
81.6 Kg

55504
Y371A
NOG
081715

INSPECTION & FINAL TEST N534!

PRIMARY (H) 480 VOLTS (LINE-LINE)
 SECONDARY (X) 208 VOLTS (LINE-LINE)
 120 VOLTS (LINE-NEUTRAL)

COIL TAP ARRANGEMENT



LISTED 769G

ENCLOSURE TYPE 2 (IP30). RAINPROOF TYPE 3R ENCLOSURE (IP32) WHEN PROVIDED SHIELD 9T18S4317G11

BEFORE HANDLING, INSTALLING AND OPERATING, SEE INSTRUCTION 475A667AAP001 Outline: 303B401SAP071
ALUMINUM CONDUCTOR PRIMARY: 10 KV BIL SECONDARY: 10 KV BIL

IN ACCORDANCE WITH NEC SECTION 450-9, ALLOW AT LEAST SIX INCHES CLEARANCE FOR VENTILATION. CHECK ADDITIONAL NEC AND LOCAL CODES.

Assembled in Mexico

X3 - X2 - X1 - X0
 - H3 - H2 - H1

Note: Standard

X0

X1 -

X2 -

X3 -

H3 - H2 - H1

X0

X1 -

X2 -

X3 -

H3 - H2 - H1



2M000000



3M000000