



Transformer



1M000000

Catalog Number

Type QL

9Q3A112AAAA00A5T30

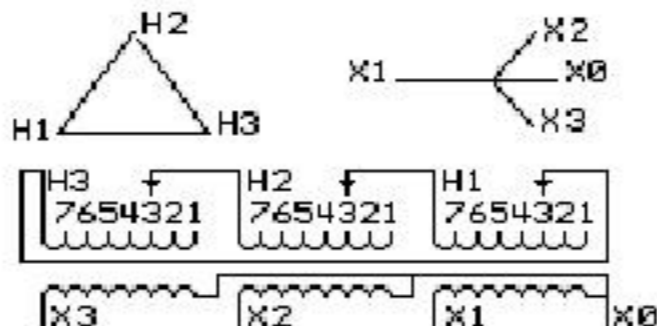
9T83S3875G50

112.5 KVA 60 HZ 3 PH 5.9 % IMP

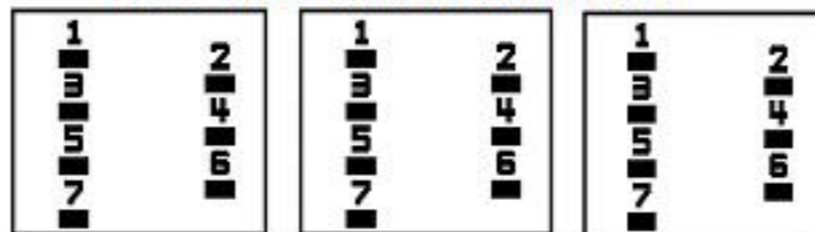
40 C AMB. 150 C RISE 220 C SYSTEM IS-19C

Note: Design is based on 112.5KVA & 150C Rise 5.9% Imp.

PRIMARY (H) 480 VOLTS (LINE-LINE)
 SECONDARY (X) 208 VOLTS (LINE-LINE)
 120 VOLTS (LINE-NEUTRAL)



COIL TAP ARRANGEMENT



JUMPER CONNECTION TAP	VOLTS
1	504
2	490
3	480
4	466
5	456
6	442
7	432

NET WGT
765 LB
347.0 Kg

55093
XV375
NOG
072115

INSPECTION & FINAL TEST N530!



LISTED 769G

Assembled in Mexico

X3 - X2 - X1 - -
 - H3 - H2 - H1

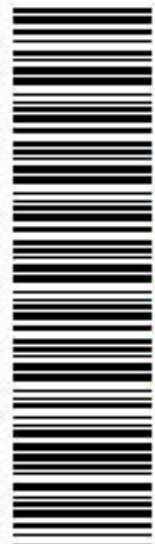
Note: X0 Terminal at the bottom

ENCLOSURE TYPE 2 (IP30). RAINPROOF TYPE 3R ENCLOSURE (IP32) WHEN PROVIDED SHIELD 9T18S4317G06

BEFORE HANDLING, INSTALLING AND OPERATING, SEE INSTRUCTION 475A667AAP001
ALUMINUM CONDUCTOR PRIMARY: 10 KV BIL SECONDARY: 10 KV BIL

Outline: 303B401SAP075

IN ACCORDANCE WITH NEC SECTION 450-9, ALLOW AT LEAST SIX INCHES CLEARANCE FOR VENTILATION. CHECK ADDITIONAL NEC AND LOCAL CODES.



2M000000



3M000000

X3 - X2 - X1 - -
 - H3 - H2 - H1
 X3 - X2 - X1 - -
 - H3 - H2 - H1

X0