



# Transformer



\*1M0000000\*

Catalog Number **9Q3C045AAA01B5T00** Type **QL**

**9T83S9873G13**

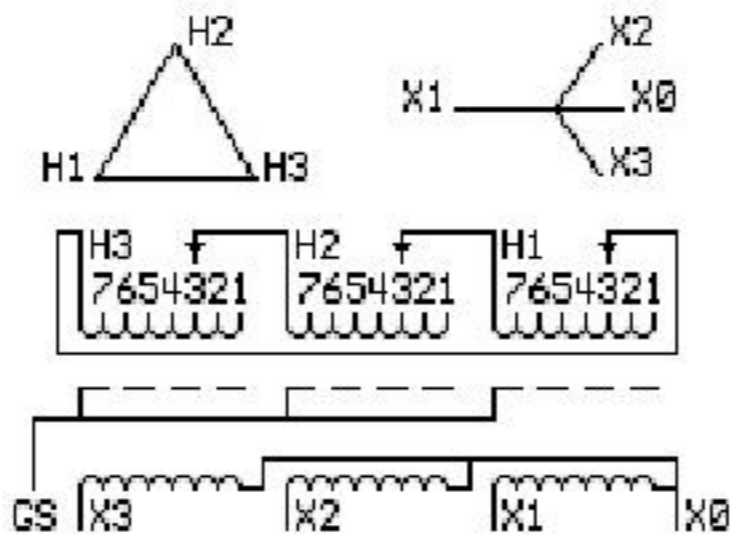
**45.0 KVA 60 HZ 3 PH 5% IMP**

40 C AMB. 115 C RISE 220 C SYSTEM IS-19C

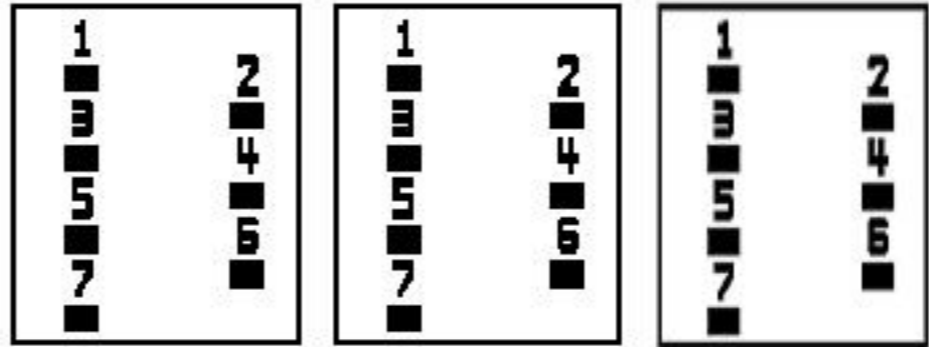
Note: Design is based on 45.00KVA & 115C Rise 5% Imp.

PRIMARY (H) 480 VOLTS (LINE-LINE)  
SECONDARY (X) 208 VOLTS (LINE-LINE)  
120 VOLTS (LINE-NEUTRAL)

ELECTROSTATIC GROUND SHIELD IN EACH PHASE



### COIL TAP ARRANGEMENT



JUMPER CONNECTION	
TAP	VOLTS
1	504
2	492
3	480
4	469
5	457
6	445
7	431

NET WGT  
490 LB  
222.3 Kg

45527  
XU373

NOG  
102815

INSPECTION  
&  
FINAL TEST  
N544!



LISTED 769G

Assembled in Mexico

ENCLOSURE TYPE 2 (IP30). RAINPROOF TYPE 3R ENCLOSURE (IP32) WHEN PROVIDED SHIELD 9T18S4317G05

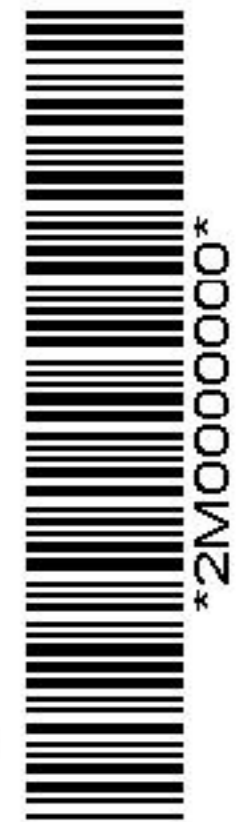
BEFORE HANDLING, INSTALLING AND OPERATING, SEE INSTRUCTION 475A667AAP001 Outline: 303B401SAP073  
COPPER CONDUCTOR PRIMARY: 10 KV BIL SECONDARY: 10 KV BIL

IN ACCORDANCE WITH NEC SECTION 450-9, ALLOW AT LEAST SIX INCHES CLEARANCE FOR VENTILATION. CHECK ADDITIONAL NEC AND LOCAL CODES.

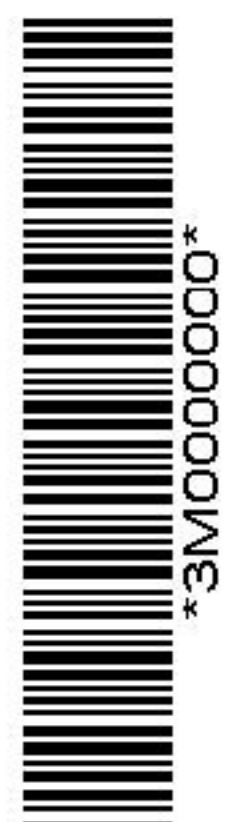
X3 - X2 - X1 - -  
- H3 - H2 - H1

Note: X0 Terminal at the bottom

X1 - - H1  
X2 - - H2  
X3 - - H3



\*2M0000000\*



\*3M0000000\*

X0