



Transformer



1M000000

Catalog Number

Type QL

9Q3C030AAAB00B5T00

9T83S9882G15

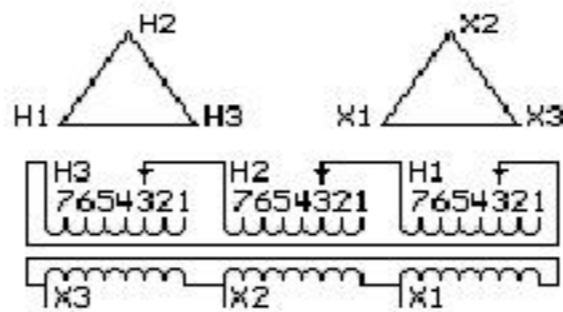
30.0 KVA 60 HZ 3 PH 6.3 % IMP

40 C AMB. 115 C RISE 220 C SYSTEM IS-19C

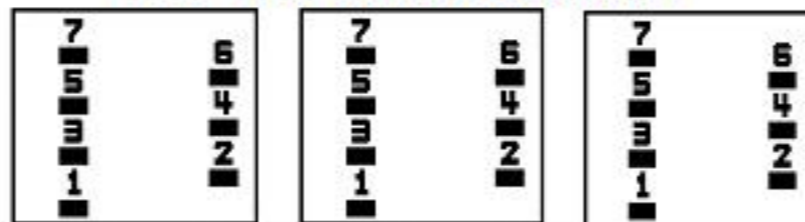
Note: Design is based on 30.00KVA & 150C Rise 6.3% Imp.

PRIMARY (H) 480 VOLTS (LINE-LINE)

SECONDARY (X) 240 VOLTS (LINE-LINE)



COIL TAP ARRANGEMENT



JUMPER CONNECTION TAP	VOLTS
1	504
2	491
3	480
4	469
5	456
6	444
7	431

NET WGT
377 LB
171.0 Kg

55903
XV372
NOG
090715

INSPECTION & FINAL TEST N537!



LISTED 769G

Assembled in Mexico

ENCLOSURE TYPE 2 (IP30). RAINPROOF TYPE 3R ENCLOSURE (IP32) WHEN PROVIDED SHIELD 9T18S4317G05

BEFORE HANDLING, INSTALLING AND OPERATING, SEE INSTRUCTION 475A667AAP001

Outline: 303B401SAP072

COPPER CONDUCTOR

PRIMARY: 10 KV BIL

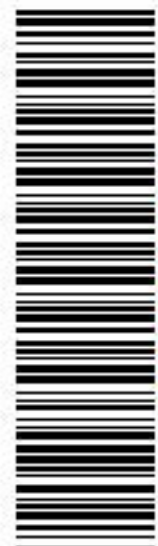
SECONDARY: 10 KV BIL

IN ACCORDANCE WITH NEC SECTION 450-9, ALLOW AT LEAST SIX INCHES CLEARANCE FOR VENTILATION. CHECK ADDITIONAL NEC AND LOCAL CODES.

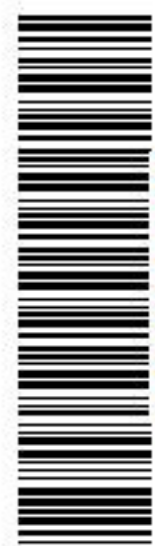
X3 - X2 - X1 - -
- H3 - H2 - H1

Note: Standard

X3 - X2 - X1 -
- H3 - H2 - H1
X3 - X2 - X1 -
- H3 - H2 - H1



2M000000



3M000000