



Transformer



1M000000

Catalog Number

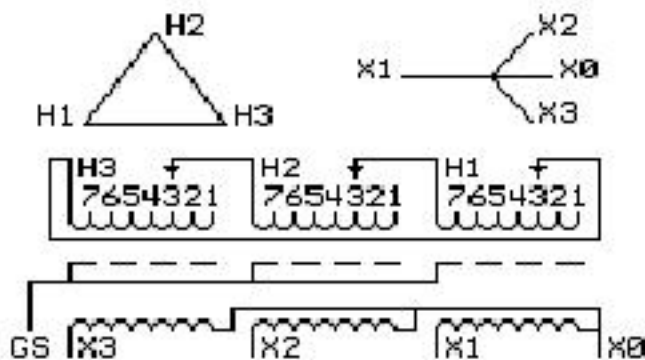
TYPE QL

9T83W3141G03

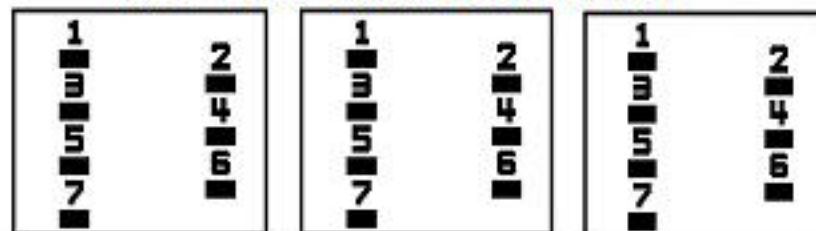
15.0 KVA 60 HZ 3 PH 5.8 % IMP

40 C AMB. 150 C RISE 220 C SYSTEM IS-19C

Note: Design is based on 15.00KVA & 150C Rise 5.8% Imp.



COIL TAP ARRANGEMENT



NSALE0 15.000480C
+2,-4 2.50%)
208Y/120

0911

NN
N9T18S4317G11T
TRANSFORMER S
STAINLESS-STH0
0 ANC4

520

NET WGT

240 LB

108.9 Kg

9T40G00C7

57785

XV371

NOG

092215

INSPECTION
&
FINAL TEST
N539!

9T83S3471G039T83S3471G03

150922KKE 303B401SAP071 YNNN 40150

220IS-19COL 3 60AL100150Y15.00 6.2 24

0 480(+2,-4 2.5

ELECTROSTATIC GROUND SHIELD IN EACH PHASE



ENCLOSURE TYPE 2 (IP30). RAINPROOF TYPE 3R ENCLOSURE (IP32) WHEN PROVIDED SHIELD 9T18W4317G11

Assembled in Mexico

BEFORE HANDLING, INSTALLING AND OPERATING, SEE INSTRUCTION 475A667AAP001
ALUMINUM CONDUCTOR PRIMARY: 10 KV BIL SECONDARY: 10 KV BIL

Outline: 303B401MWP071

IN ACCORDANCE WITH NEC SECTION 450-9, ALLOW AT LEAST SIX INCHES
CLEARANCE FOR VENTILATION. CHECK ADDITIONAL NEC AND LOCAL CODES.

X3 - X2 - X1 - X0
- H3 - H2 - H1

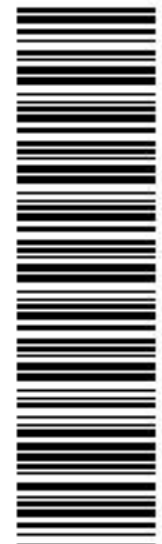
Note: Standard

Midwest Electric Products

NEMA CLASS AA DRY TYPE TRANSFORMER

Meets TP-1 2002 efficiency

X0
- X1 -
- X2 -
- X3 -



2M000000

H3 - H2 - H1

X0
- X1 -
- X2 -
- X3 -



3M000000

H3 - H2 - H1