



Transformer



1M000000

X0

X0

Catalog Number

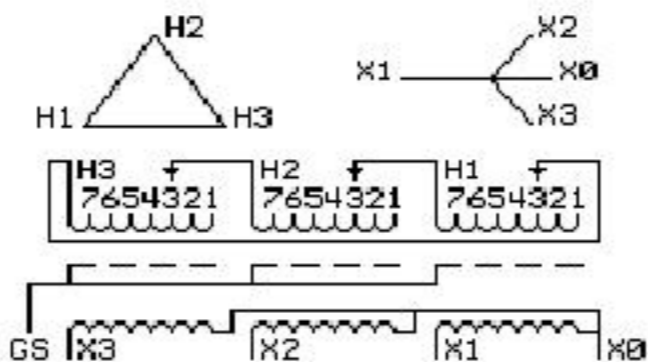
TYPE QL

9T83W3461G13

15.0 KVA 60 HZ 3 PH 5.8 % IMP

40 C AMB. 115 C RISE 220 C SYSTEM IS-19C

Note: Design is based on 15.00KVA & 150C Rise 5.8% Imp.



DWEST2 15.000480C
+2,-4 2.50%)
208Y/120

0911

NN9T83W3461G03
N9T18W4317G11T
TRANSFORMER N
ON-SIN K=04H0
0

NET WGT

240 LB

108.9 Kg

9T40G00C7

57785

XV371

NOG

092215

INSPECTION

&

FINAL TEST

N539!

520

9T83W3461G039T83W3461G03

83346103

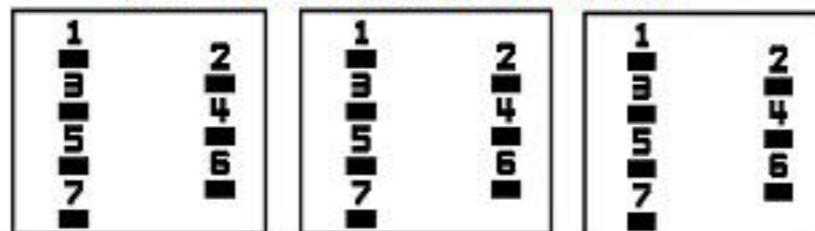
150922KKE 303B401MWP071 YNNN 40150

220IS-19COL 3 60AL100150Y15.00 6.2 24

0 480(+2,-4 2.5

ELECTROSTATIC GROUND SHIELD IN EACH PHASE

COIL TAP ARRANGEMENT



LISTED 769G

ENCLOSURE TYPE 2 (IP30). RAINPROOF TYPE 3R ENCLOSURE (IP32) WHEN PROVIDED SHIELD 9T18W4317G11

SUITABLE FOR NONSINUSOIDAL CURRENT LOAD WITH K-FACTOR NOT TO EXCEED 4

BEFORE HANDLING, INSTALLING AND OPERATING, SEE INSTRUCTION 475A667AAP001

Outline: 303B401MWP071

ALUMINUM CONDUCTOR

PRIMARY: 10 KV BIL

SECONDARY: 10 KV BIL

IN ACCORDANCE WITH NEC SECTION 450-9, ALLOW AT LEAST SIX INCHES

CLEARANCE FOR VENTILATION. CHECK ADDITIONAL NEC AND LOCAL CODES.

Assembled in Mexico

X3 - X2 - X1 - X0

- H3 - H2 - H1

Note: Standard

-

X1

-

X2

X3

-

H1

-

H2

-

H3

-

X1

-

X2

X3

-

H1

-

H2

-

H3



2M000000



3M000000