



Transformer



1M000000

X0

X0

Catalog Number

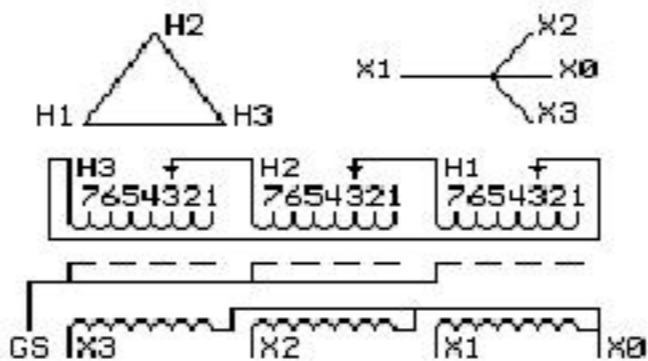
TYPE QL

9T83W3471G03

15.0 KVA 60 HZ 3 PH 6.2 % IMP

40 C AMB. 150 C RISE 220 C SYSTEM IS-19C

Note: Design is based on 15.00KVA & 150C Rise 5.8% Imp.



DWEST2 15.000480C
+2,-4 2.50%)
208Y/120

NET WGT

240 LB

108.9 Kg

9T40G00C7

57785

XV371

NOG

092215

0911
NN9T83W3461G13
N9T18W4317G11T
TRANSFORMER N
ON-SIN K=04H0
0

520

INSPECTION
&
FINAL TEST
N539!

X1 -

H1 -

X1 -

H1 -

X2 -

H2 -

X2 -

H2 -

X3 -

H3 -

X3 -

H3 -

9T83W3461G139T83W3461G13

83346113

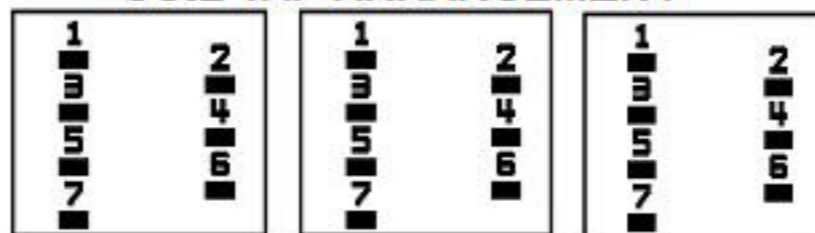
150922KKE 303B401MWP071 YNNN 40115

220IS-19COL 3 60AL100150Y15.00 5.8 24

0 480(+2,-4 2.5

ELECTROSTATIC GROUND SHIELD IN EACH PHASE

COIL TAP ARRANGEMENT



ENCLOSURE TYPE 2 (IP30). RAINPROOF TYPE 3R ENCLOSURE (IP32) WHEN PROVIDED SHIELD 9T18W4317G11

Assembled in Mexico

BEFORE HANDLING, INSTALLING AND OPERATING, SEE INSTRUCTION 475A667AAP001
ALUMINUM CONDUCTOR PRIMARY: 10 KV BIL SECONDARY: 10 KV BIL

Outline: 303B401MWP071

X3 - X2 - X1 - X0

IN ACCORDANCE WITH NEC SECTION 450-9, ALLOW AT LEAST SIX INCHES
CLEARANCE FOR VENTILATION. CHECK ADDITIONAL NEC AND LOCAL CODES.

- H3 - H2 - H1

Note: Standard

2M000000

3M000000